



**ALLIED MACHINE
& ENGINEERING**

Holemaking Solutions for Today's Manufacturing



Drilling



Reaming



Burnishing



Threading



Specials



Wohlhaupter[®]

▶ *BORING*

Modular Tool Holders

WOHLHAUPTER[®]

SECTION

B10-I

Modular Tool Holders

Wohlhaupter® Modular Tool Holders

Adapter Sleeves | Drill Chucks | Collet Chucks | Milling Arbors | Holding Arbors | Hydraulic Clamping Chucks
Tapping Chucks | Boring Bar Blanks



Clamping Tools with MVS Connection

Wohlhaupter offers a complete range of tool holders that incorporates the MVS connection. Our clamping tools allow for smaller MVS tools to connect and provide a quick and inexpensive alternative to special tooling. The clamping tools also feature coolant-through capabilities.

Your safety and the safety of others is very important. This catalog contains important safety messages. Always read and follow all safety precautions.



This triangle is a safety hazard symbol. It alerts you to potential safety hazards that can cause tool failure and serious injury.

When you see this symbol in the catalog, look for a related safety message that may be near this triangle or referred to in the nearby text.

There are safety signal words also used in the catalog. Safety messages follow these words.

WARNING

WARNING (shown above) means that failure to follow the precautions in this message could result in tool failure and serious injury.

NOTICE means that failure to follow the precautions in this message could result in damage to the tool or machine but not result in personal injury.

NOTE and **IMPORTANT** are also used. These are important that you read and follow but are not safety-related.

Visit www.alliedmachine.com for the most up-to-date information and procedures.

Applicable Industries



Aerospace



Agriculture



Automotive



Firearms



General
Machining



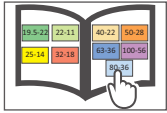
Oil & Gas



Renewable
Energy

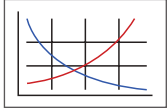
Reference Icons

The following icons will appear throughout the catalog to help you navigate between products.



MVS Connection Color Guide

Detailed instructions and information regarding the MVS connection(s)



Recommended Cutting Data

Speed and feed recommendations for optimum and safe boring



Coolant-Through Option

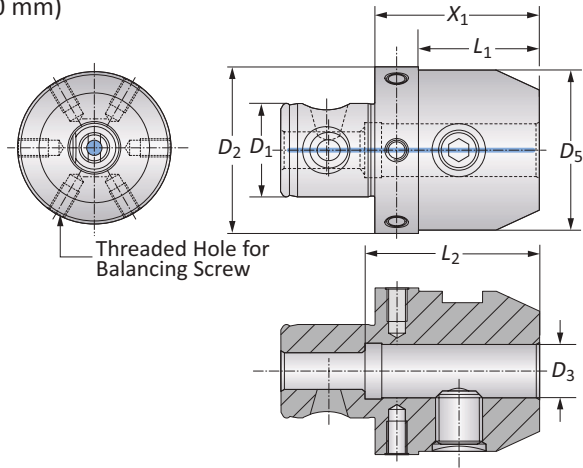
Indicates that the product is coolant through

Modular Tool Holders Table of Contents

| | |
|---|---------|
| Adapter Side Lock for Cylindrical Shanks | 2 |
| Drill Chucks | 3 |
| Collet Chucks | 4 |
| Milling Machine Arbors | 5 |
| Holding Arbors for Milling Cutters | 6 |
| Clamping and Tapping Chucks | 7 |
| Boring Bar Blanks | 8 |
| Accessories for Adapter Sleeves | |
| Thread Pins and Ball Pressure Screws | 9 |
| Adapter Sleeves for Tap Shanks | 10 |
| Micro Clamping Chucks | 11 |
| Accessories for Drill Chucks | 12 |
| Collet Chucks for Erickson System | 13 |
| Accessories for Collet Chucks | 14 - 30 |
| Sealing Disks for Collet Chucks | 31 - 34 |
| Accessories for Milling Machine Arbors | 35 |
| Reducing Sleeves for Hydraulic Clamping Chucks | 36 |
| Quick Change Adapters | 37 - 40 |
| Service Keys | 41 |

Adapter Side Lock for Cylindrical Shanks DIN 1835B

Clamping Diameter Range: 0.236" - 1.575" (6.00 mm - 40.00 mm)



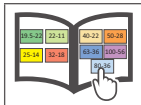
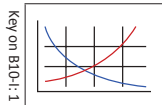
| MVS Connection | Clamping Range | Adapter Sleeve | | | | Weight | Balancing Screw | Part No. | |
|----------------|----------------|----------------|-------|-------|-------|--------|-----------------|-------------|--------|
| | | $D_2 D_1$ | D_3 | X_1 | L_1 | | | | L_2 |
| | 32 - 18 | 0.236 | 1.417 | 0.906 | 1.575 | 0.984 | 0.441 (lbs) | M5 x .8 x 6 | 228022 |
| | 32 - 18 | 0.315 | 1.417 | 0.906 | 1.575 | 1.102 | 0.441 (lbs) | M5 x .8 x 6 | 228023 |
| | 32 - 18 | 0.394 | 1.890 | - | 1.732 | 1.378 | 0.661 (lbs) | M5 x .8 x 6 | 228024 |
| | 40 - 22 | 0.472 | 2.047 | - | 1.929 | 1.654 | 1.102 (lbs) | M5 x .8 x 8 | 228025 |
| | 40 - 22 | 0.551 | 2.126 | - | 1.929 | 1.732 | 1.323 (lbs) | M5 x .8 x 8 | 228026 |
| | 50 - 28 | 0.236 | 1.417 | 0.906 | 1.575 | 0.984 | 0.882 (lbs) | M6 x 1 x 10 | 162015 |
| | 50 - 28 | 0.315 | 1.417 | 0.906 | 1.575 | 1.102 | 0.882 (lbs) | M6 x 1 x 10 | 162016 |
| i | 50 - 28 | 0.394 | 1.732 | 1.220 | 1.732 | 1.378 | 1.102 (lbs) | M6 x 1 x 10 | 162017 |
| | 50 - 28 | 0.472 | 1.732 | 1.220 | 1.929 | 1.654 | 1.102 (lbs) | M6 x 1 x 10 | 162018 |
| | 50 - 28 | 0.630 | 1.929 | 1.417 | 2.047 | 1.890 | 2.205 (lbs) | M6 x 1 x 10 | 162019 |
| | 50 - 28 | 0.709 | 1.929 | 1.417 | 2.047 | 1.890 | 2.205 (lbs) | M6 x 1 x 10 | 228014 |
| | 50 - 28 | 0.787 | 2.362 | - | 2.126 | 2.047 | 2.646 (lbs) | M6 x 1 x 10 | 162020 |
| | 63 - 36 | 0.787 | 1.929 | 1.417 | 2.126 | 2.047 | 2.425 (lbs) | M6 x 1 x 10 | 161024 |
| | 63 - 36 | 0.984 | 2.953 | - | 2.323 | 2.480 | 4.189 (lbs) | M6 x 1 x 15 | 161026 |
| | 63 - 36 | 1.260 | 2.953 | - | 2.480 | 2.835 | 4.851 (lbs) | M6 x 1 x 15 | 161027 |
| | 80 - 36 | 1.575 | 3.346 | - | 2.874 | 3.150 | 5.512 (lbs) | M6 x 1 x 15 | 161028 |
| | 32 - 18 | 6.00 | 36.00 | 23.00 | 40.00 | 25.00 | 0.20 (kg) | M5 x .8 x 6 | 228022 |
| | 32 - 18 | 8.00 | 36.00 | 23.00 | 40.00 | 28.00 | 0.20 (kg) | M5 x .8 x 6 | 228023 |
| | 32 - 18 | 10.00 | 48.00 | - | 44.00 | 35.00 | 0.30 (kg) | M5 x .8 x 6 | 228024 |
| | 40 - 22 | 12.00 | 52.00 | - | 49.00 | 42.00 | 0.50 (kg) | M5 x .8 x 8 | 228025 |
| | 40 - 22 | 14.00 | 54.00 | - | 49.00 | 44.00 | 0.60 (kg) | M5 x .8 x 8 | 228026 |
| | 50 - 28 | 6.00 | 36.00 | 23.00 | 40.00 | 25.00 | 0.40 (kg) | M6 x 1 x 10 | 162015 |
| | 50 - 28 | 8.00 | 36.00 | 23.00 | 40.00 | 28.00 | 0.40 (kg) | M6 x 1 x 10 | 162016 |
| m | 50 - 28 | 10.00 | 44.00 | 31.00 | 44.00 | 35.00 | 0.50 (kg) | M6 x 1 x 10 | 162017 |
| | 50 - 28 | 12.00 | 44.00 | 31.00 | 49.00 | 42.00 | 0.50 (kg) | M6 x 1 x 10 | 162018 |
| | 50 - 28 | 16.00 | 49.00 | 36.00 | 52.00 | 48.00 | 1.00 (kg) | M6 x 1 x 10 | 162019 |
| | 50 - 28 | 18.00 | 49.00 | 36.00 | 52.00 | 48.00 | 1.00 (kg) | M6 x 1 x 10 | 228014 |
| | 50 - 28 | 20.00 | 60.00 | - | 54.00 | 52.00 | 1.20 (kg) | M6 x 1 x 10 | 162020 |
| | 63 - 36 | 20.00 | 49.00 | 36.00 | 54.00 | 52.00 | 1.10 (kg) | M6 x 1 x 10 | 161024 |
| | 63 - 36 | 25.00 | 75.00 | - | 59.00 | 63.00 | 1.90 (kg) | M6 x 1 x 15 | 161026 |
| | 63 - 36 | 32.00 | 75.00 | - | 63.00 | 72.00 | 2.20 (kg) | M6 x 1 x 15 | 161027 |
| | 80 - 36 | 40.00 | 85.00 | - | 73.00 | 80.00 | 2.50 (kg) | M6 x 1 x 15 | 161028 |

NOTE: Balanced 10 gmm/kg.

NOTE: When using a ball pressure screw instead of a thread pin, it's similar to DIN 1835E, without axial adjustment. See ball pressure screws on page B10-I: 9.

B10-M: 12-19

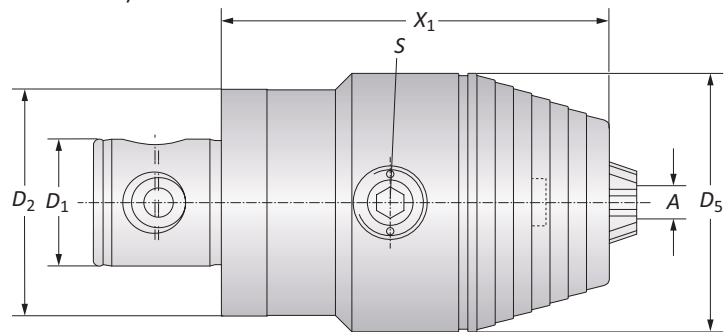
B10: vi-vii



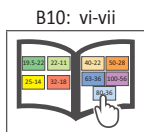
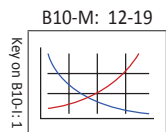
i = Imperial (in)
m = Metric (mm)

Drill Chucks for Clockwise and Counterclockwise Rotation

Clamping Diameter Range: 0.019" - 0.629" (0.50 mm - 16.00 mm)



| | MVS Connection | Clamping Range | Drill Chuck | | | Weight | Part No. |
|----------|---------------------------------|----------------|-------------|----------------|----------------|-------------|----------|
| | D ₂ D ₁ | | A | X ₁ | D ₅ | | |
| i | 50 - 28 | 0.019 - 0.511 | 3.150 | 1.969 | s6 / B | 2.425 (lbs) | 209088 |
| | 50 - 28 | 0.098 - 0.629 | 3.346 | 2.244 | s6 / B | 2.866 (lbs) | 209089 |
| | 63 - 36 | 0.019 - 0.511 | 3.150 | 1.969 | s6 / B | 2.866 (lbs) | 209090 |
| | 63 - 36 | 0.098 - 0.629 | 3.346 | 2.244 | s6 / B | 3.307 (lbs) | 209091 |
| m | 50 - 28 | 0.50 - 13.00 | 80.00 | 50.00 | s6 / B | 1.10 (kg) | 209088 |
| | 50 - 28 | 2.50 - 16.00 | 85.00 | 57.00 | s6 / B | 1.30 (kg) | 209089 |
| | 63 - 36 | 0.50 - 13.00 | 80.00 | 50.00 | s6 / B | 1.30 (kg) | 209090 |
| | 63 - 36 | 2.50 - 16.00 | 85.00 | 57.00 | s6 / B | 1.50 (kg) | 209091 |

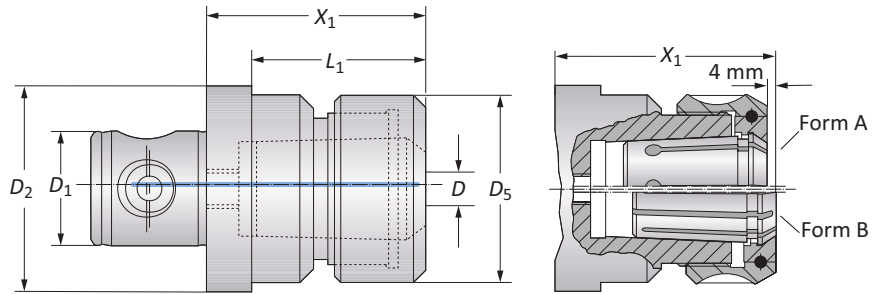


i = Imperial (in)
m = Metric (mm)

A
B
C
D
E
F
G
H
I
J
K
L
M
INDEX

Collet Chucks ISO 10897 (DIN 6388) | ISO 15488 (DIN 6499)

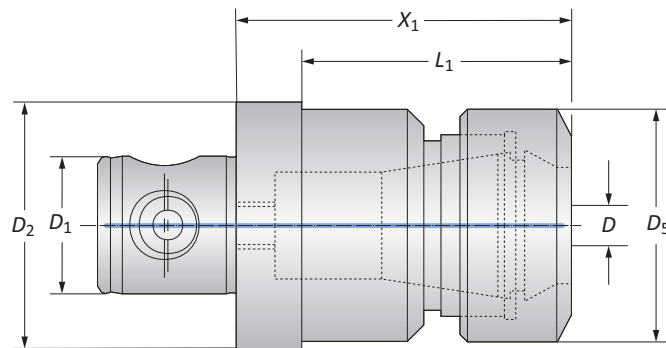
Clamping Diameter Range: 0.078" - 1.259" (2.00 mm - 32.00 mm)



Collet Chucks ISO 10897 (DIN 6388) | Diameter Range: 0.078" - 1.259" (2.00 mm - 32.00 mm)

| MVS Connection | Clamping Range | Nominal Size | Collet Chuck | | | Weight | Part No. | |
|----------------|----------------|---------------|---------------|-------|---------|--------|-------------|--------|
| | | | D_2 D_1 | D | X_1^* | | | L_1 |
| i | 40 - 22 | 0.078 - 0.629 | 16 | 2.520 | - | 1.693 | 1.102 (lbs) | 209082 |
| | 50 - 28 | 0.078 - 0.629 | 16 | 2.480 | 1.968 | 1.693 | 1.984 (lbs) | 162011 |
| | 50 - 28 | 0.078 - 0.984 | 25 | 2.913 | - | 2.362 | 2.205 (lbs) | 209083 |
| | 63 - 36 | 0.078 - 0.984 | 25 | 2.913 | - | 2.362 | 3.087 (lbs) | 161016 |
| | 63 - 36 | 0.157 - 1.259 | 32 | 3.504 | - | 2.835 | 3.969 (lbs) | 161098 |
| m | 40 - 22 | 2.00 - 16.00 | 16 | 64.00 | - | 43.00 | 0.50 (kg) | 209082 |
| | 50 - 28 | 2.00 - 16.00 | 16 | 63.00 | 50.00 | 43.00 | 0.90 (kg) | 162011 |
| | 50 - 28 | 2.00 - 25.00 | 25 | 74.00 | - | 60.00 | 1.00 (kg) | 209083 |
| | 63 - 36 | 2.00 - 25.00 | 25 | 74.00 | - | 60.00 | 1.40 (kg) | 161016 |
| | 63 - 36 | 4.00 - 32.00 | 32 | 89.00 | - | 72.00 | 1.80 (kg) | 161098 |

* X_1 Clamping nut with ball-bearing.



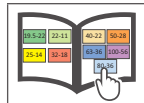
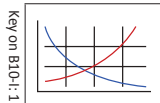
Collet Chucks ISO 15488 (DIN 6499) | Diameter Range: 0.039" - 1.023" (1.00 mm - 26.00 mm)

| MVS Connection | Clamping Range | Nominal Size | Collet Chuck | | | Weight | Part No. | |
|----------------|----------------|---------------|---------------|-------|---------|--------|-------------|--------|
| | | | D_2 D_1 | D | X_1^* | | | L_1 |
| i | 32 - 18 | 0.039 - 0.393 | ER 16 | 2.125 | 1.614 | 1.102 | 0.441 (lbs) | 228020 |
| | 40 - 22 | 0.078 - 0.629 | ER 25 | 2.953 | - | 1.654 | 1.323 (lbs) | 228021 |
| | 50 - 28 | 0.078 - 0.629 | ER 25 | 2.953 | 2.441 | 1.654 | 1.764 (lbs) | 228003 |
| | 50 - 28 | 0.078 - 0.787 | ER 32 | 2.992 | - | 1.969 | 1.764 (lbs) | 228004 |
| | 63 - 36 | 0.078 - 0.787 | ER 32 | 2.992 | 2.480 | 1.969 | 2.646 (lbs) | 228007 |
| | 63 - 36 | 0.157 - 1.023 | ER 40 | 3.465 | - | 2.480 | 2.646 (lbs) | 228006 |
| m | 32 - 18 | 1.00 - 10.00 | ER 16 | 54.00 | 4100 | 28.00 | 0.20 (kg) | 228020 |
| | 40 - 22 | 2.00 - 16.00 | ER 25 | 75.00 | - | 42.00 | 0.60 (kg) | 228021 |
| | 50 - 28 | 2.00 - 16.00 | ER 25 | 75.00 | 62.00 | 42.00 | 0.80 (kg) | 228003 |
| | 50 - 28 | 2.00 - 20.00 | ER 32 | 76.00 | - | 50.00 | 0.80 (kg) | 228004 |
| | 63 - 36 | 2.00 - 20.00 | ER 32 | 76.00 | 63.00 | 50.00 | 1.20 (kg) | 228007 |
| | 63 - 36 | 4.00 - 26.00 | ER 40 | 88.00 | - | 63.00 | 1.20 (kg) | 228006 |

* X_1 Clamping nut with sliding ring.

B10-M: 12-19

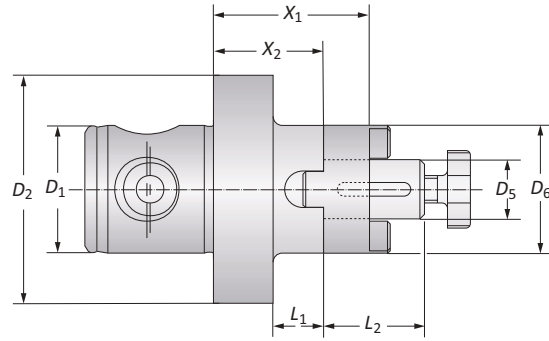
B10: vi-vii



i = Imperial (in)
m = Metric (mm)

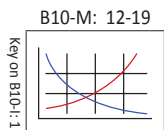
Milling Machine Arbors

For Milling Cutters with Longitudinal or Transverse Drive | Shell Mill Adapter Range: 0.512" - 1.575" (13.00 mm - 40.00 mm)



| | MVS Connection | Adapter Range | Milling Arbor | | | | | Weight | Part No. |
|---|---------------------------------|---------------|----------------|----------------|----------------|----------------|----------------|-------------|----------|
| | D ₂ D ₁ | | D ₅ | X ₁ | X ₂ | L ₁ | L ₂ | | |
| i | 50 - 28 | 0.512 | 1.339 | 0.945 | 0.433 | 0.866 | 1.102 | 0.882 (lbs) | 162002 |
| | 50 - 28 | 0.630 | 1.575 | 1.181 | 0.669 | 1.063 | 1.260 | 1.102 (lbs) | 162003 |
| | 50 - 28 | 0.866 | 1.575 | 1.102 | 0.591 | 1.220 | 1.575 | 1.323 (lbs) | 162004 |
| | 63 - 36 | 0.630 | 1.575 | 1.181 | 0.669 | 1.063 | 1.260 | 1.764 (lbs) | 161002 |
| | 63 - 36 | 0.866 | 1.575 | 1.102 | 0.591 | 1.220 | 1.575 | 1.984 (lbs) | 161003 |
| | 63 - 36 | 1.063 | 1.575 | 1.102 | 0.591 | 1.299 | 1.890 | 2.425 (lbs) | 161004 |
| | 63 - 36 | 1.260 | 1.575 | 1.024 | 0.512 | 1.496 | 2.283 | 2.866 (lbs) | 161005 |
| | 80 - 36 | 1.575 | 2.087 | 1.535 | - | 1.614 | 2.756* | 5.733 (lbs) | 161006 |
| m | 50 - 28 | 13.00 | 34.00 | 24.00 | 11.00 | 22.00 | 28.00 | 0.40 (kg) | 162002 |
| | 50 - 28 | 16.00 | 40.00 | 30.00 | 17.00 | 27.00 | 32.00 | 0.50 (kg) | 162003 |
| | 50 - 28 | 22.00 | 40.00 | 28.00 | 15.00 | 31.00 | 40.00 | 0.60 (kg) | 162004 |
| | 63 - 36 | 16.00 | 40.00 | 30.00 | 17.00 | 27.00 | 32.00 | 0.80 (kg) | 161002 |
| | 63 - 36 | 22.00 | 40.00 | 28.00 | 15.00 | 31.00 | 40.00 | 0.90 (kg) | 161003 |
| | 63 - 36 | 27.00 | 40.00 | 28.00 | 15.00 | 33.00 | 48.00 | 1.10 (kg) | 161004 |
| | 63 - 36 | 32.00 | 40.00 | 26.00 | 13.00 | 38.00 | 58.00 | 1.30 (kg) | 161005 |
| | 80 - 36 | 40.00 | 53.00 | 39.00 | - | 41.00 | 70.00* | 2.60 (kg) | 161006 |

*Ø 2.756" (70.00 mm) with clutch drive ring.

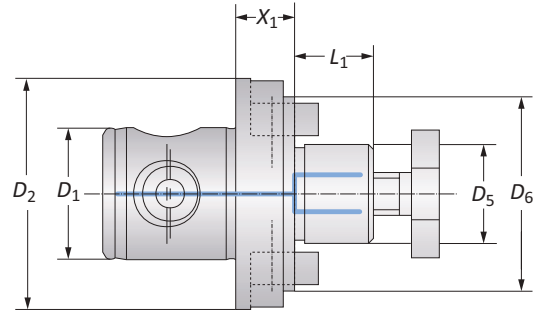
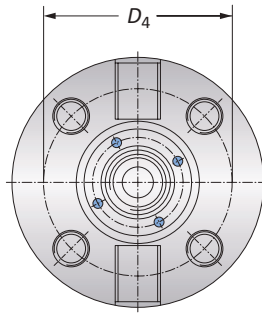


i = Imperial (in)
m = Metric (mm)

A
B
C
D
E
F
G
H
I
J
K
L
M
INDEX

Holding Arbors for Milling Cutters

Central Coolant Feed | Shell Mill Adapter Range: 0.630" - 1.575" (16.00 mm - 40.00 mm)

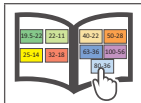
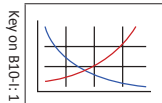


| | MVS Connection | Adapter Range | Holding Arbor | | | | Weight | Part No. |
|---|----------------|---------------|---------------|-------|-------|-------|-------------|---------------|
| | D_2 D_1 | D_5 | X_1 | L_1 | D_4 | D_6 | | |
| i | 50 - 28 | 0.630 | 0.630 | 0.669 | - | 1.575 | 0.882 (lbs) | 162032 |
| | 50 - 28 | 0.866 | 0.630 | 0.748 | - | 1.969 | 1.102 (lbs) | 162033 |
| | 63 - 36 | 1.063 | 0.630 | 0.827 | - | 2.362 | 1.764 (lbs) | 161082 |
| | 80 - 36 | 1.260 | 0.630 | 0.945 | - | 3.071 | 2.425 (lbs) | 209080 |
| | 80 - 36 | 1.575 | 0.748 | 1.063 | 2.626 | 3.504 | 3.307 (lbs) | 209081 |
| m | 50 - 28 | 16.00 | 16.00 | 17.00 | - | 40.00 | 0.40 (kg) | 162032 |
| | 50 - 28 | 22.00 | 16.00 | 19.00 | - | 50.00 | 0.50 (kg) | 162033 |
| | 63 - 36 | 27.00 | 16.00 | 21.00 | - | 60.00 | 0.80 (kg) | 161082 |
| | 80 - 36 | 32.00 | 16.00 | 24.00 | - | 78.00 | 1.10 (kg) | 209080 |
| | 80 - 36 | 40.00 | 19.00 | 27.00 | 66.70 | 89.00 | 1.50 (kg) | 209081 |

NOTE: See page B10-G: 15 for holding arbor with MVS 100 - 56 connection .

B10-M: 12-19

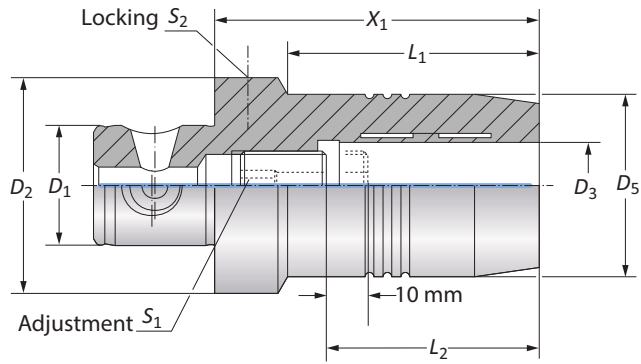
B10: vi-vii



i = Imperial (in)
m = Metric (mm)

Clamping Chucks | Tapping Chucks

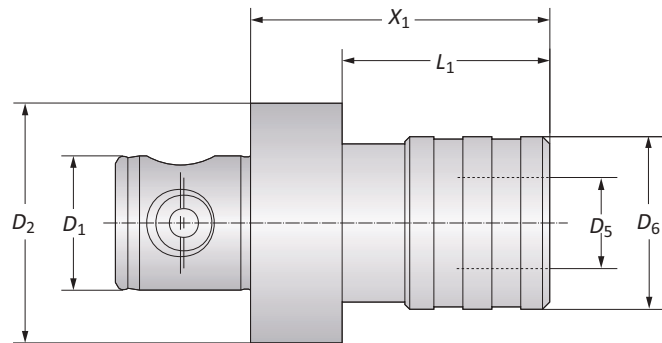
Clamping Range: 0.787" (20.00 mm)



Coolant-Through Hydraulic Clamping Chucks

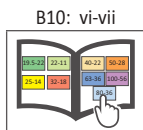
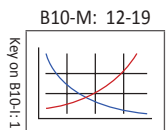
| | MVS Connection | Clamping Range | Clamping Chuck | | | | | | Weight | Part No. |
|---|---------------------------------|----------------|----------------|----------------|----------------|----------------|----------------|----------------|-------------|----------|
| | D ₂ D ₁ | | D ₃ | X ₁ | D ₅ | L ₁ | L ₂ | S ₁ | | |
| i | 50 - 28 | 0.787 | 2.953 | 1.654 | 2.283 | 2.008 | s6 | s5 | 1.764 (lbs) | 209044 |
| | 63 - 36 | 0.787 | 2.953 | 1.654 | 2.087 | 2.008 | s5 | s5 | 2.425 (lbs) | 209045 |
| m | 50 - 28 | 20.00 | 75.00 | 42.00 | 58.00 | 51.00 | s6 | s5 | 0.80 (kg) | 209044 |
| | 63 - 36 | 20.00 | 75.00 | 42.00 | 53.00 | 51.00 | s5 | s5 | 1.10 (kg) | 209045 |

NOTE: Balanced 10 gmm/kg.



Tapping Chucks (Non-Coolant)

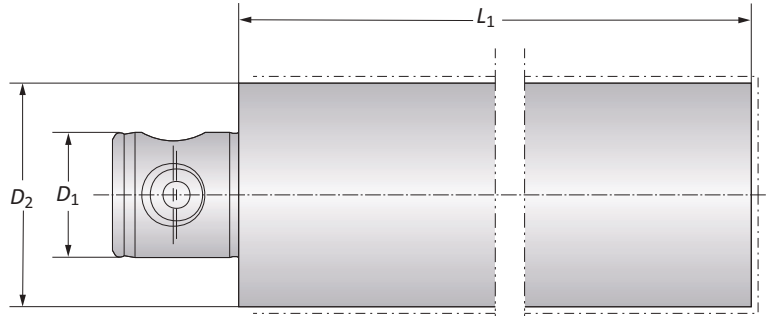
| | MVS Connection | Quick Change Adapters | | Tapping Chucks | | | | Length Compensation | | Weight | Part No. |
|---|----------------|-----------------------|--------------|----------------|----------------|----------------|----------------|---------------------|---------|-------------|----------|
| | | For Taps | Nominal Size | X ₁ | L ₁ | D ₅ | D ₆ | Pressure | Tension | | |
| i | 50 - 28 | M 3 - M 12 | 1 | 2.441 | 1.929 | 0.748 | 1.634 | 0.295 | 0.295 | 1.543 (lbs) | 209098 |
| | 50 - 28 | M 6 - M 20 | 2 | 3.701 | - | 1.220 | 2.374 | 0.394 | 0.394 | 2.425 (lbs) | 209099 |
| | 63 - 36 | M 3 - M 12 | 1 | 2.205 | 1.693 | 0.748 | 1.634 | 0.295 | 0.295 | 1.764 (lbs) | 231005 |
| | 63 - 36 | M 6 - M 20 | 2 | 3.150 | 2.638 | 1.220 | 2.374 | 0.394 | 0.394 | 2.866 (lbs) | 231006 |
| | 63 - 36 | M 14 - M 33 | 3 | 5.984 | - | 1.890 | 3.386 | 0.689 | 0.689 | 9.040 (lbs) | 231007 |
| m | 50 - 28 | M 3 - M 12 | 1 | 62.00 | 49.00 | 19.00 | 41.50 | 7.50 | 7.50 | 0.70 (kg) | 209098 |
| | 50 - 28 | M 6 - M 20 | 2 | 94.00 | - | 31.00 | 60.30 | 10.00 | 10.00 | 1.10 (kg) | 209099 |
| | 63 - 36 | M 3 - M 12 | 1 | 56.00 | 43.00 | 19.00 | 41.50 | 7.50 | 7.50 | 0.80 (kg) | 231005 |
| | 63 - 36 | M 6 - M 20 | 2 | 80.00 | 67.00 | 31.00 | 60.30 | 10.00 | 10.00 | 1.30 (kg) | 231006 |
| | 63 - 36 | M 14 - M 33 | 3 | 152.00 | - | 48.00 | 86.00 | 17.50 | 17.50 | 4.10 (kg) | 231007 |



i = Imperial (in)
m = Metric (mm)

A
B
C
D
E
F
G
H
I
J
K
L
M
INDEX

Boring Bar Blanks

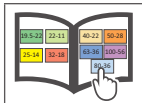
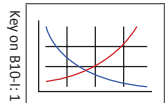


NOTE: The blanks are unhardened and unground in areas marked.

| | MVS Connection | Boring Bar Blanks | | |
|----------|----------------|-------------------|--------------|----------|
| | $D_2 D_1$ | L_1 | Weight | Part No. |
| i | 50 - 28 | 6.299 | 5.733 (lbs) | 166103 |
| | 63 - 36 | 6.299 | 9.261 (lbs) | 166104 |
| | 80 - 36 | 6.299 | 14.550 (lbs) | 166105 |
| m | 50 - 28 | 160.00 | 2.60 (kg) | 166103 |
| | 63 - 36 | 160.00 | 4.20 (kg) | 166104 |
| | 80 - 36 | 160.00 | 6.60 (kg) | 166105 |

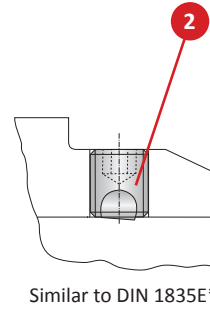
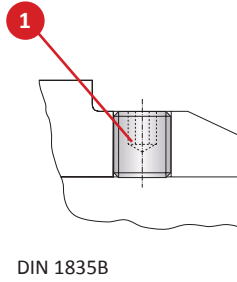
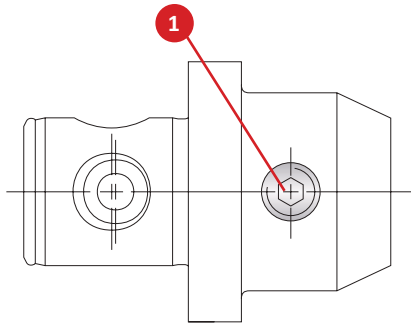
B10-M: 12-19

B10: vi-vii



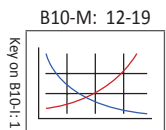
i = Imperial (in)
m = Metric (mm)

Accessories for Adapter Sleeves



| Clamping Diameter | 1 Thread Pin | | 2 Ball Pressure Screw | | | |
|-------------------|--------------|-------------|-----------------------|-------------|--------------|--------------|
| | Part No. | Service Key | Part No. | Service Key | Thread | |
| i | 0.236 | 115680 | s3 / B | 315788 | s3 / B | M6 x 1 |
| | 0.315 | 115681 | s4 / B | 315789 | s4 / B | M8 x 1.25 |
| | 0.394 | 115682 | s5 / B | 515535 | s5 / B | M10 x 1.5 |
| | 0.472 | 115683 | s6 / B | 315790 | s6 / B | M12 x 1.75 |
| | 0.551 | 115683 | s6 / B | 315790 | s6 / B | M12 x 1.75 |
| | 0.630 | 115684 | s6 / B | 515675 | s6 / B | M14 x 2 |
| | 0.709 | 115684 | s6 / B | 515675 | s6 / B | M14 x 2 |
| | 0.787 | 115685 | s8 / B | 515676 | s8 / B | M16 x 2 |
| | 0.984 | 115686 | s10 / B | 515677 | s10 / B | M18 x 2 (2x) |
| | 1.260 | 115687 | s10 / B | 515678 | s10 / B | M20 x 2 (2x) |
| 1.575 | 115687 | s10 / B | 515678 | s10 / B | M20 x 2 (2x) | |
| m | 6.00 | 115680 | s3 / B | 315788 | s3 / B | M6 x 1 |
| | 8.00 | 115681 | s4 / B | 315789 | s4 / B | M8 x 1.25 |
| | 10.00 | 115682 | s5 / B | 515535 | s5 / B | M10 x 1.5 |
| | 12.00 | 115683 | s6 / B | 315790 | s6 / B | M12 x 1.75 |
| | 14.00 | 115683 | s6 / B | 315790 | s6 / B | M12 x 1.75 |
| | 16.00 | 115684 | s6 / B | 515675 | s6 / B | M14 x 2 |
| | 18.00 | 115684 | s6 / B | 515675 | s6 / B | M14 x 2 |
| | 20.00 | 115685 | s8 / B | 515676 | s8 / B | M16 x 2 |
| | 25.00 | 115686 | s10 / B | 515677 | s10 / B | M18 x 2 (2x) |
| | 32.00 | 115687 | s10 / B | 515678 | s10 / B | M20 x 2 (2x) |
| 40.00 | 115687 | s10 / B | 515678 | s10 / B | M20 x 2 (2x) | |

*Without axial adjustment.

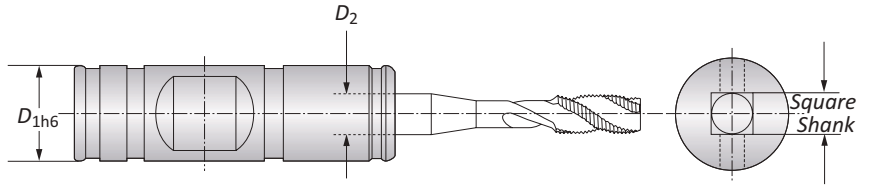


i = Imperial (in)
m = Metric (mm)

A
B
C
D
E
F
G
H
I
J
K
L
M
INDEX

Accessories for Adapter Sleeves

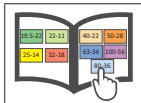
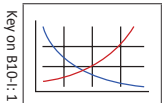
Adapter Sleeve for Tap Shanks Suitable for Reduction Sleeves with Shanks to DIN 1835-B



| Adapter Sleeves | | |
|-----------------|---------------------------|----------|
| D_{1h6} | $D_2 \times$ Square Shank | Part No. |
| 0.315 | 0.082 x 0.098 | 271190 |
| 0.315 | 0.082 x 0.110 | 271191 |
| 0.394 | 0.106 x 0.137 | 271192 |
| 0.394 | 0.118 x 0.157 | 271193 |
| 0.394 | 0.133 x 0.177 | 271194 |
| 0.472 | 0.192 x 0.236 | 271195 |
| 0.551 | 0.216 x 0.275 | 271196 |
| 0.551 | 0.244 x 0.314 | 271197 |
| 0.630 | 0.275 x 0.354 | 271198 |
| 0.630 | 0.314 x 0.393 | 271199 |
| i 0.709 | 0.354 x 0.433 | 271200 |
| 0.787 | 0.354 x 0.472 | 271201 |
| 0.984 | 0.433 x 0.551 | 271202 |
| 0.984 | 0.472 x 0.629 | 271203 |
| 1.260 | 0.570 x 0.708 | 271204 |
| 1.260 | 0.629 x 0.787 | 271205 |
| 1.260 | 0.708 x 0.866 | 271206 |
| 1.575 | 0.866 x 0.984 | 271207 |
| 1.575 | 0.866 x 1.102 | 271208 |
| 1.969 | 0.944 x 1.259 | 271209 |
| 1.969 | 1.141 x 1.417 | 271210 |
| 1.969 | 1.259 x 1.574 | 271211 |
| <hr/> | | |
| 8.00 | 2.10 x 2.50 | 271190 |
| 8.00 | 2.10 x 2.80 | 271191 |
| 10.00 | 2.70 x 3.50 | 271192 |
| 10.00 | 3.00 x 4.00 | 271193 |
| 10.00 | 3.40 x 4.50 | 271194 |
| 12.00 | 4.90 x 6.00 | 271195 |
| 14.00 | 5.50 x 7.00 | 271196 |
| 14.00 | 6.20 x 8.00 | 271197 |
| 16.00 | 7.00 x 9.00 | 271198 |
| 16.00 | 8.00 x 10.00 | 271199 |
| m 18.00 | 9.00 x 11.00 | 271200 |
| 20.00 | 9.00 x 12.00 | 271201 |
| 25.00 | 11.00 x 14.00 | 271202 |
| 25.00 | 12.00 x 16.00 | 271203 |
| 32.00 | 14.50 x 18.00 | 271204 |
| 32.00 | 16.00 x 20.00 | 271205 |
| 32.00 | 18.00 x 22.00 | 271206 |
| 40.00 | 20.00 x 25.00 | 271207 |
| 40.00 | 22.00 x 28.00 | 271208 |
| 50.00 | 24.00 x 32.00 | 271209 |
| 50.00 | 29.00 x 36.00 | 271210 |
| 50.00 | 32.00 x 40.00 | 271211 |

B10-M: 12-19

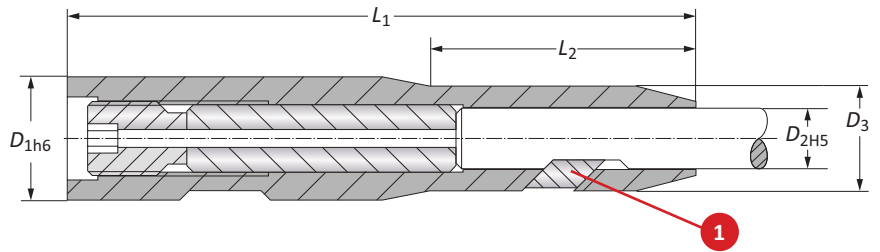
B10: vi-vii



i = Imperial (in)
m = Metric (mm)

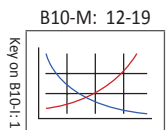
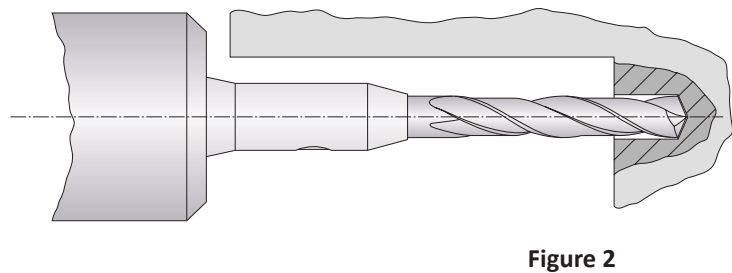
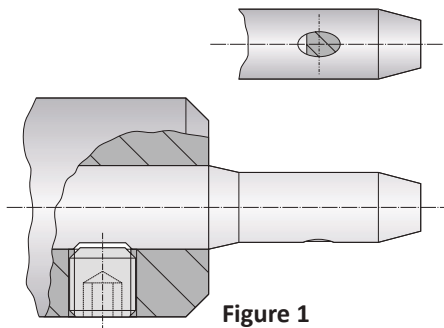
Accessories for Adapter Sleeves

Micro Clamping Chucks Suitable for Reduction Sleeves with Shanks to DIN 1835-B



| Micro Clamping Chuck | | | | | 1 Clamping Wedge | | |
|----------------------|-----------|-----------|-------|--------|------------------|---------------|---------------|
| | D_{1h6} | D_{2H5} | D_3 | L_1 | L_2 | Part No. | Part No. |
| i | 0.630 | 0.236 | 0.472 | 3.937 | 1.575 | 219170 | 219070 |
| | 0.630 | 0.315 | 0.551 | 3.937 | 1.772 | 219171 | 219071 |
| | 0.787 | 0.394 | 0.669 | 3.937 | 1.693 | 219172 | 219072 |
| | 0.984 | 0.472 | 0.787 | 4.331 | 1.535 | 219173 | 219073 |
| | 0.984 | 0.551 | 0.866 | 4.331 | 1.811 | 219174 | 219074 |
| | 1.260 | 0.630 | 0.984 | 4.921 | 1.772 | 219174 | 219075 |
| | 1.260 | 0.709 | 1.063 | 5.118 | 2.126 | 219174 | 219076 |
| | 1.260 | 0.787 | 1.181 | 5.118 | 2.441 | 219175 | 219077 |
| m | 16.00 | 6.00 | 12.00 | 100.00 | 40.00 | 219170 | 219070 |
| | 16.00 | 8.00 | 14.00 | 100.00 | 45.00 | 219171 | 219071 |
| | 20.00 | 10.00 | 17.00 | 100.00 | 43.00 | 219172 | 219072 |
| | 25.00 | 12.00 | 20.00 | 110.00 | 39.00 | 219173 | 219073 |
| | 25.00 | 14.00 | 22.00 | 110.00 | 46.00 | 219174 | 219074 |
| | 32.00 | 16.00 | 25.00 | 125.00 | 45.00 | 219174 | 219075 |
| | 32.00 | 18.00 | 27.00 | 130.00 | 54.00 | 219174 | 219076 |
| | 32.00 | 20.00 | 30.00 | 130.00 | 62.00 | 219175 | 219077 |

NOTE: Clamping chucks are used in reduction sleeves for clamping tools with cylindrical shanks to DIN 1835-B (Fig. 1). The chucks' design allows the use of standard tools versus ordering special tools (Fig. 2).



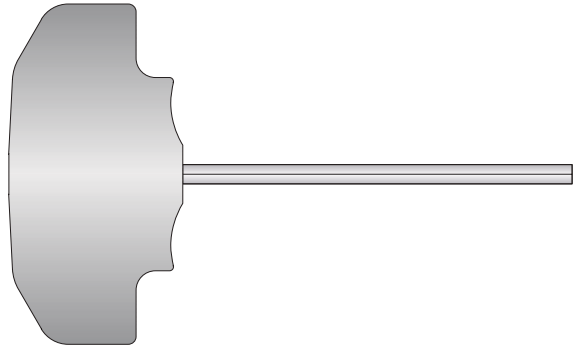
i = Imperial (in)
m = Metric (mm)

A
B
C
D
E
F
G
H
I
J
K
L
M
INDEX

Accessories for Drill Chucks

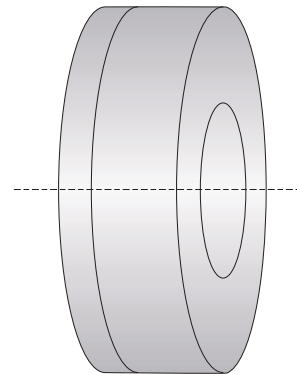
Service Keys for Drill Chucks

| Service Key | | Tightening Torque Nm | Part No. |
|-------------|------|----------------------|---------------|
| Service Key | Type | | |
| 2.50 | B | 15 | 415577 |
| 6.00 | B | 15 | 115578 |



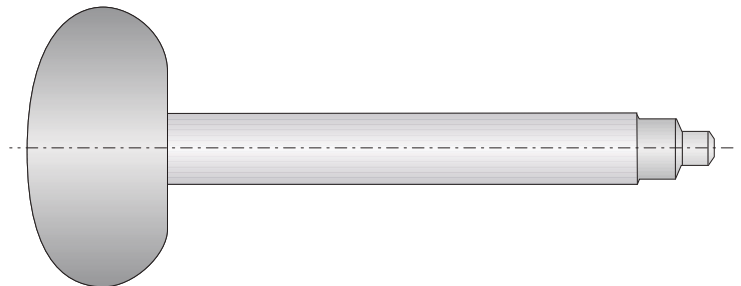
Gaskets for Drill Chucks

| | Gasket | | Part No. |
|----------|-----------------|-------------------|---------------|
| | Gasket Diameter | Clamping Diameter | |
| i | 0.118 - 0.236 | 0.019 - 0.511 | 387113 |
| | 0.236 - 0.511 | 0.019 - 0.511 | 387114 |
| | 0.118 - 0.236 | 0.098 - 0.629 | 387115 |
| | 0.236 - 0.629 | 0.098 - 0.629 | 387116 |
| m | 3.00 - 6.00 | 0.50 - 13.00 | 387113 |
| | 6.00 - 13.00 | 0.50 - 13.00 | 387114 |
| | 3.00 - 6.00 | 2.50 - 16.00 | 387115 |
| | 6.00 - 16.00 | 2.50 - 16.00 | 387116 |



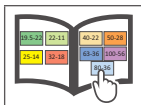
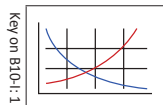
Assembly Tool for Gasket

| Part No. |
|---------------|
| 387112 |



B10-M: 12-19

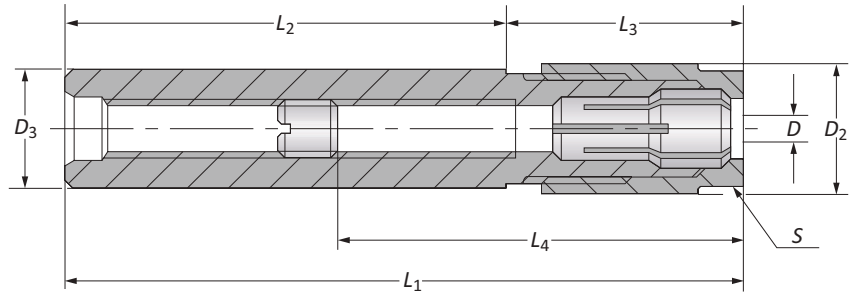
B10: vi-vii



i = Imperial (in)
m = Metric (mm)

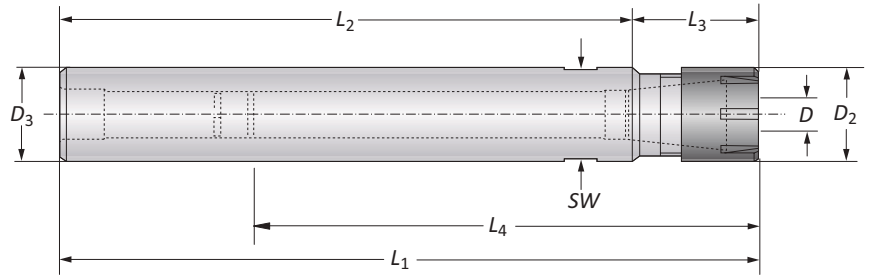
Collet Chucks for Erickson System | Cylindrical Collet Chucks for ISO 15488 (DIN 6499) Collets

Diameter Range: 0.039" - 0.393" (1.00 mm - 10.00 mm)



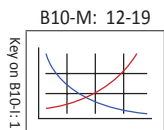
Collet Chucks for Erickson System

| | Nominal Size | Clamping Range <i>D</i> | Collet Chuck | | | | | | Service Key <i>S</i> | Weight | Part No. | |
|----------|--------------|----------------------------|-----------------------|-----------------------|-----------------------|-----------------------|-----------------------|---------------------------|-------------------------|--------|-------------|---------------------------|
| | | | <i>D</i> ₂ | <i>D</i> ₃ | <i>L</i> ₁ | <i>L</i> ₂ | <i>L</i> ₃ | <i>L</i> ₄ Min | | | | <i>L</i> ₄ Max |
| i | 6 | 0.020 - 0.236 | 0.551 | 0.492 | 4.291 | 2.992 | 1.299 | 1.496 | 3.937 | 13 | 0.441 (lbs) | 162080 |
| | 6 | 0.020 - 0.236 | 0.551 | 0.492 | 6.811 | 5.512 | 1.299 | 1.496 | 6.378 | 13 | 0.441 (lbs) | 162081 |
| | 10 | 0.020 - 0.394 | 0.827 | 0.787 | 4606 | 2.992 | 1.614 | 1.575 | 4.055 | 19 | 0.661 (lbs) | 162082 |
| | 10 | 0.020 - 0.394 | 0.827 | 0.787 | 7.126 | 5.512 | 1.614 | 1.575 | 6.575 | 19 | 0.661 (lbs) | 162083 |
| m | 6 | 0.50 - 6.00 | 14.00 | 12.50 | 109.00 | 76.00 | 33.00 | 38.00 | 100.00 | 13 | 0.20 (kg) | 162080 |
| | 6 | 0.50 - 6.00 | 14.00 | 12.50 | 173.00 | 140.00 | 33.00 | 38.00 | 162.00 | 13 | 0.20 (kg) | 162081 |
| | 10 | 0.50 - 10.00 | 21.00 | 20.00 | 117.00 | 76.00 | 41.00 | 40.00 | 103.00 | 19 | 0.30 (kg) | 162082 |
| | 10 | 0.50 - 10.00 | 21.00 | 20.00 | 181.00 | 140.00 | 41.00 | 40.00 | 167.00 | 19 | 0.30 (kg) | 162083 |



Cylindrical Collet Chucks for ISO 15488 (DIN 6499) Collets

| | Nominal Size | <i>D</i> | Collet Chuck | | | | | | Hex Size <i>SW</i> | Part No. | |
|----------|--------------|---------------|-----------------------|-----------------------|-----------------------|-----------------------|-----------------------|---------------------------|-----------------------|----------|---------------------------|
| | | | <i>D</i> ₂ | <i>D</i> ₃ | <i>L</i> ₁ | <i>L</i> ₂ | <i>L</i> ₃ | <i>L</i> ₄ Min | | | <i>L</i> ₄ Max |
| i | ER 8 | 0.039 - 0.196 | 0.472 | 0.315 | 4.961 | 3.937 | 1.024 | 1.437 | 1.437 | 09 | 209054 |
| | ER 8 | 0.039 - 0.196 | 0.472 | 0.472 | 6.535 | 5.512 | 1.024 | 1.437 | 1.437 | 09 | 209055 |
| | ER 11 | 0.039 - 0.275 | 0.630 | 0.630 | 4.193 | 3.150 | 1.043 | 0.906 | 2.559 | 11 | 209056 |
| | ER 11 | 0.039 - 0.275 | 0.630 | 0.630 | 6.555 | 5.512 | 1.043 | 0.906 | 2.559 | 11 | 209057 |
| | ER 16 | 0.039 - 0.393 | 0.866 | 0.787 | 4.665 | 3.150 | 1.516 | 1.299 | 4.016 | 17 | 209058 |
| | ER 16 | 0.039 - 0.393 | 0.866 | 0.787 | 7.028 | 5.512 | 1.516 | 1.299 | 4.843 | 17 | 209059 |
| m | ER 8 | 1.00 - 5.00 | 12.00 | 8.00 | 126.00 | 100.00 | 26.00 | 36.50 | 36.50 | 09 | 209054 |
| | ER 8 | 1.00 - 5.00 | 12.00 | 12.00 | 166.00 | 140.00 | 26.00 | 36.50 | 36.50 | 09 | 209055 |
| | ER 11 | 1.00 - 7.00 | 16.00 | 16.00 | 106.50 | 80.00 | 26.50 | 23.00 | 65.00 | 11 | 209056 |
| | ER 11 | 1.00 - 7.00 | 16.00 | 16.00 | 166.50 | 140.00 | 26.50 | 23.00 | 65.00 | 11 | 209057 |
| | ER 16 | 1.00 - 10.00 | 22.00 | 20.00 | 118.50 | 80.00 | 38.50 | 33.00 | 102.00 | 17 | 209058 |
| | ER 16 | 1.00 - 10.00 | 22.00 | 20.00 | 178.50 | 140.00 | 38.50 | 33.00 | 123.00 | 17 | 209059 |

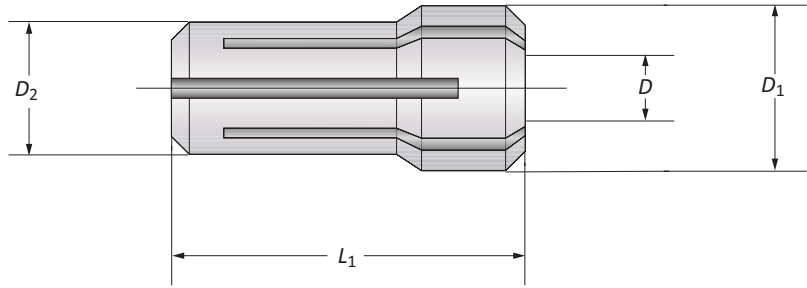


i = Imperial (in)
m = Metric (mm)

A
B
C
D
E
F
G
H
I
J
K
L
M
INDEX

Accessories for Collet Chucks

Diameter Range: 0.019" - 0.393" (0.50 mm - 10.00 mm)



Collet Sets for Erickson System

| Nominal Size | Standard-No. | Set | | | | Part No. |
|--------------|--------------|-------|-------|-------|---------------|----------|
| | | D_1 | D_2 | L_1 | D | |
| 6 | 416 E | 0.374 | 0.300 | 1.004 | 0.020 - 0.236 | 071016 |
| | 417 E | 0.531 | 0.450 | 1.197 | 0.020 - 0.394 | 071017 |
| 10 | 416 E | 9.50 | 7.62 | 25.50 | 0.50 - 6.00 | 071016 |
| | 417 E | 13.50 | 11.43 | 30.40 | 0.50 - 10.00 | 071017 |

Collets for Erickson System

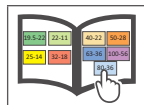
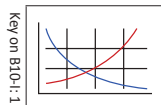
| Collet Nominal Size | Diameter Range D | Part No. |
|---------------------|--------------------|----------|
| 6 | 0.020 - 0.039 | 071355 |
| 6 | 0.039 - 0.059 | 071356 |
| 6 | 0.059 - 0.079 | 071357 |
| 6 | 0.079 - 0.098 | 071358 |
| 6 | 0.098 - 0.118 | 071359 |
| 6 | 0.118 - 0.138 | 071360 |
| 6 | 0.138 - 0.157 | 071361 |
| 6 | 0.157 - 0.177 | 071362 |
| 6 | 0.177 - 0.197 | 071363 |
| 6 | 0.197 - 0.217 | 071364 |
| 6 | 0.217 - 0.236 | 071365 |
| 10 | 0.020 - 0.039 | 071368 |
| 10 | 0.039 - 0.059 | 071369 |
| 10 | 0.059 - 0.079 | 071370 |
| 10 | 0.079 - 0.098 | 071371 |
| 10 | 0.098 - 0.118 | 071372 |
| 10 | 0.118 - 0.138 | 071373 |
| 10 | 0.139 - 0.157 | 071374 |
| 10 | 0.157 - 0.177 | 071375 |
| 10 | 0.177 - 0.197 | 071376 |
| 10 | 0.197 - 0.217 | 071377 |
| 10 | 0.217 - 0.236 | 071378 |
| 10 | 0.236 - 0.256 | 071379 |
| 10 | 0.256 - 0.276 | 071380 |
| 10 | 0.276 - 0.295 | 071381 |
| 10 | 0.295 - 0.315 | 071382 |
| 10 | 0.315 - 0.335 | 071383 |
| 10 | 0.335 - 0.354 | 071384 |
| 10 | 0.354 - 0.374 | 071385 |
| 10 | 0.374 - 0.394 | 071681 |

Collets for Erickson System

| Collet Nominal Size | Diameter Range D | Part No. |
|---------------------|--------------------|----------|
| 6 | 0.50 - 1.00 | 071355 |
| 6 | 1.00 - 1.50 | 071356 |
| 6 | 1.50 - 2.00 | 071357 |
| 6 | 2.00 - 2.50 | 071358 |
| 6 | 2.50 - 3.00 | 071359 |
| 6 | 3.00 - 3.50 | 071360 |
| 6 | 3.50 - 4.00 | 071361 |
| 6 | 4.00 - 4.50 | 071362 |
| 6 | 4.50 - 5.00 | 071363 |
| 6 | 5.00 - 5.50 | 071364 |
| 6 | 5.50 - 6.00 | 071365 |
| 10 | 0.50 - 1.00 | 071368 |
| 10 | 1.00 - 1.50 | 071369 |
| 10 | 1.50 - 2.00 | 071370 |
| 10 | 2.00 - 2.50 | 071371 |
| 10 | 2.50 - 3.00 | 071372 |
| 10 | 3.00 - 3.50 | 071373 |
| 10 | 3.50 - 4.00 | 071374 |
| 10 | 4.00 - 4.50 | 071375 |
| 10 | 4.50 - 5.00 | 071376 |
| 10 | 5.00 - 5.50 | 071377 |
| 10 | 5.50 - 6.00 | 071378 |
| 10 | 6.00 - 6.50 | 071379 |
| 10 | 6.50 - 7.00 | 071380 |
| 10 | 7.00 - 7.50 | 071381 |
| 10 | 7.50 - 8.00 | 071382 |
| 10 | 8.00 - 8.50 | 071383 |
| 10 | 8.50 - 9.00 | 071384 |
| 10 | 9.00 - 9.50 | 071385 |
| 10 | 9.50 - 10.00 | 071681 |

B10-M: 12-19

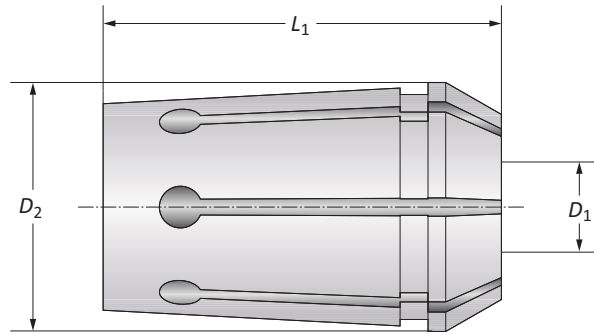
B10: vi-vii



i = Imperial (in)
m = Metric (mm)

Accessories for Collet Chucks

ISO 10897-A (DIN 6388-A)



Collet Sets

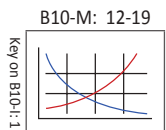
| | Nominal Size | Standard-No. | Set | | | Part No. |
|----------|--------------|--------------|-------|-------|---------------|---------------|
| | | | D_2 | L_1 | D_1 | |
| i | A 16 | 410 E | 0.891 | 1.574 | 0.079 - 0.630 | 071003 |
| | A 25 | 444 E | 1.295 | 2.047 | 0.079 - 0.984 | 071004 |
| | A 32 | 450 E | 1.625 | 2.362 | 0.157 - 1.259 | 071019 |
| m | A 16 | 410 E | 22.65 | 40.00 | 2.00 - 16.00 | 071003 |
| | A 25 | 444 E | 32.90 | 52.00 | 2.00 - 25.00 | 071004 |
| | A 32 | 450 E | 41.30 | 60.00 | 4.00 - 32.00 | 071019 |

Collets

| | Nominal Size | Diameter | |
|----------|--------------|----------|---------------|
| | | D_1 | Part No. |
| i | A 16 | 0.079 | 071140 |
| | A 16 | 0.098 | 071141 |
| | A 16 | 0.118 | 071142 |
| | A 16 | 0.138 | 071143 |
| | A 16 | 0.157 | 071144 |
| | A 16 | 0.177 | 071145 |
| | A 16 | 0.197 | 071146 |
| | A 16 | 0.217 | 071147 |
| | A 16 | 0.236 | 071148 |
| | A 16 | 0.256 | 071149 |
| | A 16 | 0.276 | 071150 |
| | A 16 | 0.295 | 071151 |
| | A 16 | 0.315 | 071152 |
| | A 16 | 0.335 | 071153 |
| | A 16 | 0.354 | 071154 |
| | A 16 | 0.374 | 071155 |
| | A 16 | 0.394 | 071156 |
| | A 16 | 0.413 | 071157 |
| | A 16 | 0.433 | 071158 |
| | A 16 | 0.453 | 071159 |
| | A 16 | 0.472 | 071160 |
| | A 16 | 0.492 | 071161 |
| | A 16 | 0.512 | 071162 |
| | A 16 | 0.531 | 071163 |
| | A 16 | 0.551 | 071164 |
| | A 16 | 0.571 | 071165 |
| | A 16 | 0.591 | 071166 |
| | A 16 | 0.610 | 071167 |
| | A 16 | 0.630 | 071168 |

Collets

| | Nominal Size | Diameter | |
|----------|--------------|----------|---------------|
| | | D_1 | Part No. |
| m | A 16 | 2.00 | 071140 |
| | A 16 | 2.50 | 071141 |
| | A 16 | 3.00 | 071142 |
| | A 16 | 3.50 | 071143 |
| | A 16 | 4.00 | 071144 |
| | A 16 | 4.50 | 071145 |
| | A 16 | 5.00 | 071146 |
| | A 16 | 5.50 | 071147 |
| | A 16 | 6.00 | 071148 |
| | A 16 | 6.50 | 071149 |
| | A 16 | 7.00 | 071150 |
| | A 16 | 7.50 | 071151 |
| | A 16 | 8.00 | 071152 |
| | A 16 | 8.50 | 071153 |
| | A 16 | 9.00 | 071154 |
| | A 16 | 9.50 | 071155 |
| | A 16 | 10.00 | 071156 |
| | A 16 | 10.50 | 071157 |
| | A 16 | 11.00 | 071158 |
| | A 16 | 11.50 | 071159 |
| | A 16 | 12.00 | 071160 |
| | A 16 | 12.50 | 071161 |
| | A 16 | 13.00 | 071162 |
| | A 16 | 13.50 | 071163 |
| | A 16 | 14.00 | 071164 |
| | A 16 | 14.50 | 071165 |
| | A 16 | 15.00 | 071166 |
| | A 16 | 15.50 | 071167 |
| | A 16 | 16.00 | 071168 |

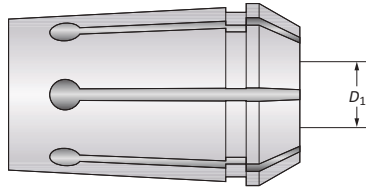


i = Imperial (in)
m = Metric (mm)

A
B
C
D
E
F
G
H
I
J
K
L
M
INDEX

Accessories for Collet Chucks

ISO 10897-A (DIN 6388-A)



Collets

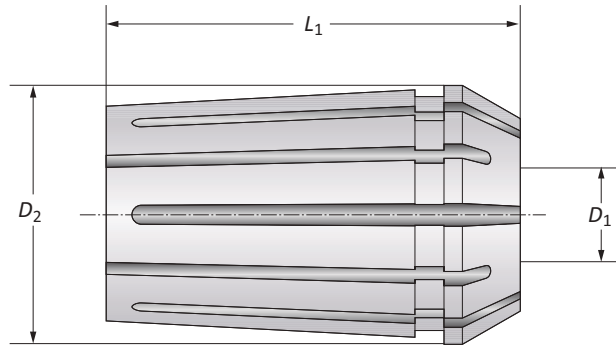
| Nominal Size | Diameter D_1 | Part No. |
|---------------|-------------------|----------|
| A 25 | 0.078 | 071169 |
| A 25 | 0.118 | 071170 |
| A 25 | 0.157 | 071171 |
| A 25 | 0.196 | 071172 |
| A 25 | 0.236 | 071173 |
| A 25 | 0.275 | 071174 |
| A 25 | 0.315 | 071175 |
| A 25 | 0.354 | 071176 |
| A 25 | 0.393 | 071177 |
| A 25 | 0.433 | 071178 |
| A 25 | 0.472 | 071179 |
| A 25 | 0.511 | 071180 |
| A 25 | 0.551 | 071181 |
| A 25 | 0.590 | 071182 |
| A 25 | 0.629 | 071183 |
| A 25 | 0.669 | 071184 |
| A 25 | 0.708 | 071185 |
| A 25 | 0.748 | 071186 |
| A 25 | 0.787 | 071187 |
| A 25 | 0.826 | 071188 |
| A 25 | 0.866 | 071189 |
| A 25 | 0.905 | 071190 |
| A 25 | 0.944 | 071191 |
| A 25 | 0.984 | 071192 |
| A 32 | 0.157 | 071612 |
| A 32 | 0.196 | 071419 |
| i A 32 | 0.236 | 071420 |
| A 32 | 0.275 | 071613 |
| A 32 | 0.315 | 071421 |
| A 32 | 0.354 | 071614 |
| A 32 | 0.393 | 071422 |
| A 32 | 0.433 | 071666 |
| A 32 | 0.472 | 071423 |
| A 32 | 0.511 | 071667 |
| A 32 | 0.551 | 071668 |
| A 32 | 0.590 | 071669 |
| A 32 | 0.629 | 071424 |
| A 32 | 0.669 | 071670 |
| A 32 | 0.708 | 071665 |
| A 32 | 0.748 | 071671 |
| A 32 | 0.787 | 071416 |
| A 32 | 0.826 | 071672 |
| A 32 | 0.866 | 071673 |
| A 32 | 0.905 | 071674 |
| A 32 | 0.944 | 071675 |
| A 32 | 0.984 | 071417 |
| A 32 | 1.023 | 071676 |
| A 32 | 1.063 | 071677 |
| A 32 | 1.102 | 071678 |
| A 32 | 1.141 | 071679 |
| A 32 | 1.181 | 071633 |
| A 32 | 1.220 | 071680 |
| A 32 | 1.259 | 071418 |

Collets

| Nominal Size | Diameter D_1 | Part No. |
|---------------|-------------------|----------|
| A 25 | 2.00 | 071169 |
| A 25 | 3.00 | 071170 |
| A 25 | 4.00 | 071171 |
| A 25 | 5.00 | 071172 |
| A 25 | 6.00 | 071173 |
| A 25 | 7.00 | 071174 |
| A 25 | 8.00 | 071175 |
| A 25 | 9.00 | 071176 |
| A 25 | 10.00 | 071177 |
| A 25 | 11.00 | 071178 |
| A 25 | 12.00 | 071179 |
| A 25 | 13.00 | 071180 |
| A 25 | 14.00 | 071181 |
| A 25 | 15.00 | 071182 |
| A 25 | 16.00 | 071183 |
| A 25 | 17.00 | 071184 |
| A 25 | 18.00 | 071185 |
| A 25 | 19.00 | 071186 |
| A 25 | 20.00 | 071187 |
| A 25 | 21.00 | 071188 |
| A 25 | 22.00 | 071189 |
| A 25 | 23.00 | 071190 |
| A 25 | 24.00 | 071191 |
| A 25 | 25.00 | 071192 |
| A 32 | 4.00 | 071612 |
| A 32 | 5.00 | 071419 |
| m A 32 | 6.00 | 071420 |
| A 32 | 7.00 | 071613 |
| A 32 | 8.00 | 071421 |
| A 32 | 9.00 | 071614 |
| A 32 | 10.00 | 071422 |
| A 32 | 11.00 | 071666 |
| A 32 | 12.00 | 071423 |
| A 32 | 13.00 | 071667 |
| A 32 | 14.00 | 071668 |
| A 32 | 15.00 | 071669 |
| A 32 | 16.00 | 071424 |
| A 32 | 17.00 | 071670 |
| A 32 | 18.00 | 071665 |
| A 32 | 19.00 | 071671 |
| A 32 | 20.00 | 071416 |
| A 32 | 21.00 | 071672 |
| A 32 | 22.00 | 071673 |
| A 32 | 23.00 | 071674 |
| A 32 | 24.00 | 071675 |
| A 32 | 25.00 | 071417 |
| A 32 | 26.00 | 071676 |
| A 32 | 27.00 | 071677 |
| A 32 | 28.00 | 071678 |
| A 32 | 29.00 | 071679 |
| A 32 | 30.00 | 071633 |
| A 32 | 31.00 | 071680 |
| A 32 | 32.00 | 071418 |

Accessories for Collet Chucks

ISO 10897-B (DIN 6388-B)



Collet Sets

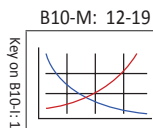
| | Nominal Size | Standard-No. | Set | | | Part No. |
|---|--------------|--------------|-------|-------|---------------|----------|
| | | | D_2 | L_1 | D_1 | |
| i | B 16 | 415 E | 0.892 | 1.575 | 0.059 - 0.630 | 071005 |
| | B 25 | 462 E | 1.295 | 2.047 | 0.138 - 0.984 | 071006 |
| | B 32 | 467 E | 1.626 | 2.362 | 0.217 - 1.260 | 071022 |
| m | B 16 | 415 E | 22.65 | 40.00 | 1.50 - 16.00 | 071005 |
| | B 25 | 462 E | 32.90 | 52.00 | 3.50 - 25.00 | 071006 |
| | B 32 | 467 E | 41.30 | 60.00 | 5.50 - 32.00 | 071022 |

Collets

| | Nominal Size | Diameter | Part No. |
|------|---------------|---------------|----------|
| | | D_1 | |
| i | B 16 | 0.059 - 0.079 | 071625 |
| | B 16 | 0.079 - 0.098 | 071626 |
| | B 16 | 0.098 - 0.118 | 071621 |
| | B 16 | 0.118 - 0.138 | 071622 |
| | B 16 | 0.138 - 0.157 | 071193 |
| | B 16 | 0.157 - 0.177 | 071194 |
| | B 16 | 0.177 - 0.197 | 071195 |
| | B 16 | 0.197 - 0.217 | 071196 |
| | B 16 | 0.217 - 0.236 | 071197 |
| | B 16 | 0.236 - 0.256 | 071198 |
| | B 16 | 0.256 - 0.276 | 071199 |
| | B 16 | 0.276 - 0.295 | 071200 |
| | B 16 | 0.295 - 0.315 | 071201 |
| | B 16 | 0.315 - 0.335 | 071202 |
| | B 16 | 0.335 - 0.354 | 071203 |
| | B 16 | 0.354 - 0.374 | 071204 |
| | B 16 | 0.374 - 0.394 | 071205 |
| | B 16 | 0.394 - 0.413 | 071206 |
| | B 16 | 0.413 - 0.433 | 071207 |
| | B 16 | 0.433 - 0.453 | 071208 |
| | B 16 | 0.453 - 0.472 | 071209 |
| | B 16 | 0.472 - 0.492 | 071210 |
| | B 16 | 0.492 - 0.512 | 071211 |
| | B 16 | 0.512 - 0.531 | 071212 |
| | B 16 | 0.531 - 0.551 | 071213 |
| | B 16 | 0.551 - 0.571 | 071214 |
| | B 16 | 0.571 - 0.591 | 071215 |
| | B 16 | 0.591 - 0.610 | 071216 |
| B 16 | 0.610 - 0.630 | 071217 | |

Collets

| | Nominal Size | Diameter | Part No. |
|------|---------------|---------------|----------|
| | | D_1 | |
| m | B 16 | 1.50 - 2.00 | 071625 |
| | B 16 | 2.00 - 2.50 | 071626 |
| | B 16 | 2.50 - 3.00 | 071621 |
| | B 16 | 3.00 - 3.50 | 071622 |
| | B 16 | 3.50 - 4.00 | 071193 |
| | B 16 | 4.00 - 4.50 | 071194 |
| | B 16 | 4.50 - 5.00 | 071195 |
| | B 16 | 5.00 - 5.50 | 071196 |
| | B 16 | 5.50 - 6.00 | 071197 |
| | B 16 | 6.00 - 6.50 | 071198 |
| | B 16 | 6.50 - 7.00 | 071199 |
| | B 16 | 7.00 - 7.50 | 071200 |
| | B 16 | 7.50 - 8.00 | 071201 |
| | B 16 | 8.00 - 8.50 | 071202 |
| | B 16 | 8.50 - 9.00 | 071203 |
| | B 16 | 9.00 - 9.50 | 071204 |
| | B 16 | 9.50 - 10.00 | 071205 |
| | B 16 | 10.00 - 10.50 | 071206 |
| | B 16 | 10.50 - 11.00 | 071207 |
| | B 16 | 11.00 - 11.50 | 071208 |
| | B 16 | 11.50 - 12.00 | 071209 |
| | B 16 | 12.00 - 12.50 | 071210 |
| | B 16 | 12.50 - 13.00 | 071211 |
| | B 16 | 13.00 - 13.50 | 071212 |
| | B 16 | 13.50 - 14.00 | 071213 |
| | B 16 | 14.00 - 14.50 | 071214 |
| | B 16 | 14.50 - 15.00 | 071215 |
| B 16 | 15.00 - 15.50 | 071216 | |
| B 16 | 15.50 - 16.00 | 071217 | |

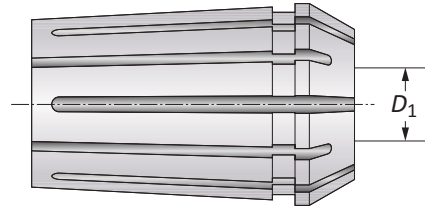


i = Imperial (in)
m = Metric (mm)

A
B
C
D
E
F
G
H
I
J
K
L
M
INDEX

Accessories for Collet Chucks

ISO 10897-B (DIN 6388-B)



Collets

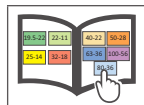
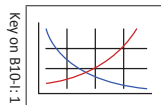
| Nominal Size | Diameter D_1 | Part No. |
|---------------|----------------|----------|
| B 25 | 0.138 - 0.157 | 071627 |
| B 25 | 0.157 - 0.177 | 071628 |
| B 25 | 0.177 - 0.197 | 071218 |
| B 25 | 0.197 - 0.217 | 071219 |
| B 25 | 0.217 - 0.236 | 071220 |
| B 25 | 0.236 - 0.256 | 071221 |
| B 25 | 0.256 - 0.276 | 071222 |
| B 25 | 0.276 - 0.295 | 071223 |
| B 25 | 0.295 - 0.315 | 071224 |
| B 25 | 0.315 - 0.335 | 071225 |
| B 25 | 0.335 - 0.354 | 071226 |
| B 25 | 0.354 - 0.374 | 071227 |
| B 25 | 0.374 - 0.394 | 071228 |
| B 25 | 0.394 - 0.413 | 071229 |
| B 25 | 0.413 - 0.433 | 071230 |
| B 25 | 0.433 - 0.453 | 071231 |
| B 25 | 0.453 - 0.472 | 071232 |
| B 25 | 0.472 - 0.492 | 071233 |
| B 25 | 0.492 - 0.512 | 071234 |
| B 25 | 0.512 - 0.531 | 071235 |
| B 25 | 0.531 - 0.551 | 071236 |
| i B 25 | 0.551 - 0.571 | 071237 |
| B 25 | 0.571 - 0.591 | 071238 |
| B 25 | 0.591 - 0.610 | 071239 |
| B 25 | 0.610 - 0.630 | 071240 |
| B 25 | 0.630 - 0.650 | 071241 |
| B 25 | 0.650 - 0.669 | 071242 |
| B 25 | 0.669 - 0.689 | 071243 |
| B 25 | 0.689 - 0.709 | 071244 |
| B 25 | 0.709 - 0.728 | 071245 |
| B 25 | 0.728 - 0.748 | 071246 |
| B 25 | 0.748 - 0.768 | 071247 |
| B 25 | 0.768 - 0.787 | 071248 |
| B 25 | 0.787 - 0.807 | 071249 |
| B 25 | 0.807 - 0.827 | 071250 |
| B 25 | 0.827 - 0.846 | 071251 |
| B 25 | 0.846 - 0.866 | 071252 |
| B 25 | 0.866 - 0.866 | 071253 |
| B 25 | 0.866 - 0.906 | 071254 |
| B 25 | 0.906 - 0.925 | 071255 |
| B 25 | 0.925 - 0.945 | 071256 |
| B 25 | 0.945 - 0.965 | 071257 |
| B 25 | 0.965 - 0.984 | 071258 |

Collets

| Nominal Size | Diameter D_1 | Part No. |
|---------------|----------------|----------|
| B 25 | 3.50 - 4.00 | 071627 |
| B 25 | 4.00 - 4.50 | 071628 |
| B 25 | 4.50 - 5.00 | 071218 |
| B 25 | 5.00 - 5.50 | 071219 |
| B 25 | 5.50 - 6.00 | 071220 |
| B 25 | 6.00 - 6.50 | 071221 |
| B 25 | 6.50 - 7.00 | 071222 |
| B 25 | 7.00 - 7.50 | 071223 |
| B 25 | 7.50 - 8.00 | 071224 |
| B 25 | 8.00 - 8.50 | 071225 |
| B 25 | 8.50 - 9.00 | 071226 |
| B 25 | 9.00 - 9.50 | 071227 |
| B 25 | 9.50 - 10.00 | 071228 |
| B 25 | 10.00 - 10.50 | 071229 |
| B 25 | 10.50 - 11.00 | 071230 |
| B 25 | 11.00 - 11.50 | 071231 |
| B 25 | 11.50 - 12.00 | 071232 |
| B 25 | 12.00 - 12.50 | 071233 |
| B 25 | 12.50 - 13.00 | 071234 |
| B 25 | 13.00 - 13.50 | 071235 |
| B 25 | 13.50 - 14.00 | 071236 |
| m B 25 | 14.00 - 14.50 | 071237 |
| B 25 | 14.50 - 15.00 | 071238 |
| B 25 | 15.00 - 15.50 | 071239 |
| B 25 | 15.50 - 16.00 | 071240 |
| B 25 | 16.00 - 16.50 | 071241 |
| B 25 | 16.50 - 17.00 | 071242 |
| B 25 | 17.00 - 17.50 | 071243 |
| B 25 | 17.50 - 18.00 | 071244 |
| B 25 | 18.00 - 18.50 | 071245 |
| B 25 | 18.50 - 19.00 | 071246 |
| B 25 | 19.00 - 19.50 | 071247 |
| B 25 | 19.50 - 20.00 | 071248 |
| B 25 | 20.00 - 20.50 | 071249 |
| B 25 | 20.50 - 21.00 | 071250 |
| B 25 | 21.00 - 21.50 | 071251 |
| B 25 | 21.50 - 22.00 | 071252 |
| B 25 | 22.00 - 22.50 | 071253 |
| B 25 | 22.50 - 23.00 | 071254 |
| B 25 | 23.00 - 23.50 | 071255 |
| B 25 | 23.50 - 24.00 | 071256 |
| B 25 | 24.00 - 24.50 | 071257 |
| B 25 | 24.50 - 25.00 | 071258 |

B10-M: 12-19

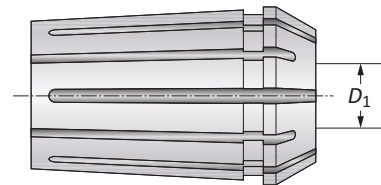
B10: vi-vii



i = Imperial (in)
m = Metric (mm)

Accessories for Collet Chucks

ISO 10897-B (DIN 6388-B)



Collets

| Nominal Size | Diameter D_1 | Part No. |
|---------------|-------------------|---------------|
| B 32 | 0.217 - 0.236 | 071686 |
| B 32 | 0.236 - 0.256 | 071687 |
| B 32 | 0.256 - 0.276 | 071688 |
| B 32 | 0.276 - 0.295 | 071689 |
| B 32 | 0.295 - 0.315 | 071690 |
| B 32 | 0.315 - 0.335 | 071691 |
| B 32 | 0.335 - 0.354 | 071692 |
| B 32 | 0.354 - 0.374 | 071693 |
| B 32 | 0.374 - 0.394 | 071542 |
| B 32 | 0.394 - 0.413 | 071543 |
| B 32 | 0.413 - 0.433 | 071544 |
| B 32 | 0.433 - 0.453 | 071545 |
| B 32 | 0.453 - 0.472 | 071546 |
| B 32 | 0.472 - 0.492 | 071547 |
| B 32 | 0.492 - 0.512 | 071548 |
| B 32 | 0.512 - 0.531 | 071549 |
| B 32 | 0.531 - 0.551 | 071550 |
| B 32 | 0.551 - 0.571 | 071551 |
| B 32 | 0.571 - 0.591 | 071552 |
| B 32 | 0.591 - 0.610 | 071553 |
| B 32 | 0.610 - 0.630 | 071554 |
| B 32 | 0.630 - 0.650 | 071555 |
| B 32 | 0.650 - 0.669 | 071556 |
| B 32 | 0.669 - 0.689 | 071557 |
| B 32 | 0.689 - 0.709 | 071558 |
| B 32 | 0.709 - 0.728 | 071559 |
| i B 32 | 0.728 - 0.748 | 071560 |
| B 32 | 0.748 - 0.768 | 071561 |
| B 32 | 0.768 - 0.787 | 071562 |
| B 32 | 0.787 - 0.807 | 071563 |
| B 32 | 0.807 - 0.827 | 071564 |
| B 32 | 0.827 - 0.846 | 071565 |
| B 32 | 0.846 - 0.866 | 071566 |
| B 32 | 0.866 - 0.866 | 071567 |
| B 32 | 0.866 - 0.906 | 071568 |
| B 32 | 0.906 - 0.925 | 071569 |
| B 32 | 0.925 - 0.945 | 071570 |
| B 32 | 0.945 - 0.965 | 071571 |
| B 32 | 0.965 - 0.984 | 071572 |
| B 32 | 0.984 - 1.004 | 071573 |
| B 32 | 1.004 - 1.024 | 071574 |
| B 32 | 1.024 - 1.043 | 071575 |
| B 32 | 1.043 - 1.063 | 071576 |
| B 32 | 1.063 - 1.083 | 071577 |
| B 32 | 1.083 - 1.102 | 071578 |
| B 32 | 1.102 - 1.122 | 071579 |
| B 32 | 1.122 - 1.142 | 071580 |
| B 32 | 1.142 - 1.161 | 071581 |
| B 32 | 1.161 - 1.181 | 071582 |
| B 32 | 1.181 - 1.201 | 071583 |
| B 32 | 1.201 - 1.220 | 071584 |
| B 32 | 1.220 - 1.240 | 071585 |
| B 32 | 1.240 - 1.260 | 071586 |

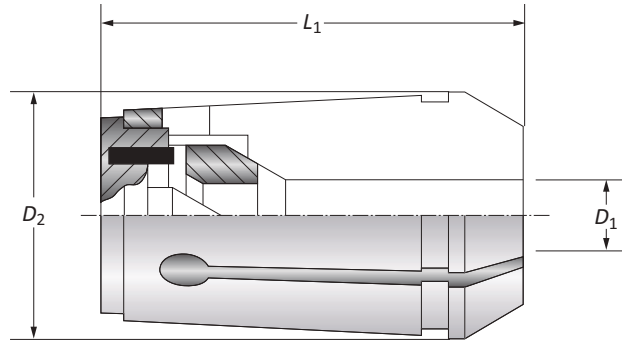
Collets

| Nominal Size | Diameter D_1 | Part No. |
|---------------|-------------------|---------------|
| B 32 | 5.50 - 6.00 | 071686 |
| B 32 | 6.00 - 6.50 | 071687 |
| B 32 | 6.50 - 7.00 | 071688 |
| B 32 | 7.00 - 7.50 | 071689 |
| B 32 | 7.50 - 8.00 | 071690 |
| B 32 | 8.00 - 8.50 | 071691 |
| B 32 | 8.50 - 9.00 | 071692 |
| B 32 | 9.00 - 9.50 | 071693 |
| B 32 | 9.50 - 10.00 | 071542 |
| B 32 | 10.00 - 10.50 | 071543 |
| B 32 | 10.50 - 11.00 | 071544 |
| B 32 | 11.00 - 11.50 | 071545 |
| B 32 | 11.50 - 12.00 | 071546 |
| B 32 | 12.00 - 12.50 | 071547 |
| B 32 | 12.50 - 13.00 | 071548 |
| B 32 | 13.00 - 13.50 | 071549 |
| B 32 | 13.50 - 14.00 | 071550 |
| B 32 | 14.00 - 14.50 | 071551 |
| B 32 | 14.50 - 15.00 | 071552 |
| B 32 | 15.00 - 15.50 | 071553 |
| B 32 | 15.50 - 16.00 | 071554 |
| B 32 | 16.00 - 16.50 | 071555 |
| B 32 | 16.50 - 17.00 | 071556 |
| B 32 | 17.00 - 17.50 | 071557 |
| B 32 | 17.50 - 18.00 | 071558 |
| B 32 | 18.00 - 18.50 | 071559 |
| m B 32 | 18.50 - 19.00 | 071560 |
| B 32 | 19.00 - 19.50 | 071561 |
| B 32 | 19.50 - 20.00 | 071562 |
| B 32 | 20.00 - 20.50 | 071563 |
| B 32 | 20.50 - 21.00 | 071564 |
| B 32 | 21.00 - 21.50 | 071565 |
| B 32 | 21.50 - 22.00 | 071566 |
| B 32 | 22.00 - 22.50 | 071567 |
| B 32 | 22.50 - 23.00 | 071568 |
| B 32 | 23.00 - 23.50 | 071569 |
| B 32 | 23.50 - 24.00 | 071570 |
| B 32 | 24.00 - 24.50 | 071571 |
| B 32 | 24.50 - 25.00 | 071572 |
| B 32 | 25.00 - 25.50 | 071573 |
| B 32 | 25.50 - 26.00 | 071574 |
| B 32 | 26.00 - 26.50 | 071575 |
| B 32 | 26.50 - 27.00 | 071576 |
| B 32 | 27.00 - 27.50 | 071577 |
| B 32 | 27.50 - 28.00 | 071578 |
| B 32 | 28.00 - 28.50 | 071579 |
| B 32 | 28.50 - 29.00 | 071580 |
| B 32 | 29.00 - 29.50 | 071581 |
| B 32 | 29.50 - 30.00 | 071582 |
| B 32 | 30.00 - 30.50 | 071583 |
| B 32 | 30.50 - 31.00 | 071584 |
| B 32 | 31.00 - 31.50 | 071585 |
| B 32 | 31.50 - 32.00 | 071586 |

A
B
C
D
E
F
G
H
I
J
K
L
M
INDEX

Accessories for Collet Chucks

ISO 10897-A (DIN 6388-A)



Collet Sets for Clarkson System

| | Nominal Size | Standard-No. | Sets | | | Part No. |
|---|--------------|--------------|-------|-------|---------------|----------|
| | | | D_2 | L_1 | D_1 | |
| i | A 16 | 421 E | 0.892 | 1.654 | 0.236 - 0.472 | 071013 |
| | A 25 | 459 E | 1.295 | 2.047 | 0.236 - 0.984 | 071014 |
| | A 32 | 460 E | 1.626 | 2.480 | 0.236 - 1.260 | 071020 |
| m | A 16 | 421 E | 22.65 | 42.00 | 6.00 - 12.00 | 071013 |
| | A 25 | 459 E | 32.90 | 52.00 | 6.00 - 25.00 | 071014 |
| | A 32 | 460 E | 41.30 | 63.00 | 6.00 - 32.00 | 071020 |

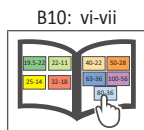
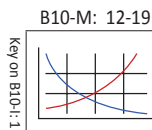
NOTE: Recommended to use clamping nuts with ball bearings to lock collets.

Collets for Clarkson System

| Nominal Size | Diameter | Part No. |
|--------------|----------|----------|
| | D_1 | |
| A 16 | 0.236 | 071304 |
| A 16 | 0.315 | 071305 |
| A 16 | 0.394 | 071306 |
| A 16 | 0.472 | 071307 |
| A 25 | 0.236 | 071308 |
| A 25 | 0.315 | 071309 |
| A 25 | 0.394 | 071310 |
| A 25 | 0.472 | 071311 |
| A 25 | 0.630 | 071312 |
| i A 25 | 0.787 | 071313 |
| A 25 | 0.984 | 071684 |
| A 32 | 0.236 | 071427 |
| A 32 | 0.315 | 071428 |
| A 32 | 0.394 | 071429 |
| A 32 | 0.472 | 071430 |
| A 32 | 0.630 | 071431 |
| A 32 | 0.787 | 071432 |
| A 32 | 0.984 | 071433 |
| A 32 | 1.260 | 071685 |

Collets for Clarkson System

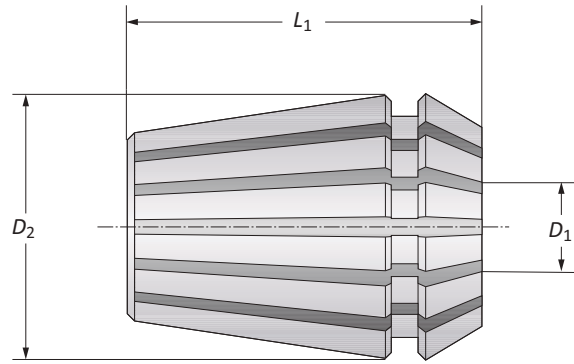
| Nominal Size | Diameter | Part No. |
|--------------|----------|----------|
| | D_1 | |
| A 16 | 6.00 | 071304 |
| A 16 | 8.00 | 071305 |
| A 16 | 10.00 | 071306 |
| A 16 | 12.00 | 071307 |
| A 25 | 6.00 | 071308 |
| A 25 | 8.00 | 071309 |
| A 25 | 10.00 | 071310 |
| A 25 | 12.00 | 071311 |
| A 25 | 16.00 | 071312 |
| m A 25 | 20.00 | 071313 |
| A 25 | 25.00 | 071684 |
| A 32 | 6.00 | 071427 |
| A 32 | 8.00 | 071428 |
| A 32 | 10.00 | 071429 |
| A 32 | 12.00 | 071430 |
| A 32 | 16.00 | 071431 |
| A 32 | 20.00 | 071432 |
| A 32 | 25.00 | 071433 |
| A 32 | 32.00 | 071685 |



i = Imperial (in)
m = Metric (mm)

Accessories for Collet Chucks

ISO 15488-B (DIN 6499-B)



Collet Sets

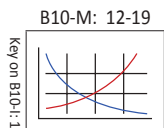
| | Nominal Size | Standard-No. | Diameter | | Collet Set | | Part No. |
|----------|--------------|--------------|---------------|-------|------------|---------------|----------|
| | | | D_1 | D_2 | D_2 | L_1 | |
| i | ER 8 | 4004 E | 0.039 - 0.197 | 0.335 | 0.531 | 071034 | |
| | ER 11 | 4008 E | 0.039 - 0.276 | 0.433 | 0.709 | 071028 | |
| | ER 16 | 426 E | 0.020 - 0.394 | 0.630 | 1.083 | 071029 | |
| | ER 25 | 430 E | 0.059 - 0.630 | 0.984 | 1.339 | 071031 | |
| | ER 32 | 470 E | 0.079 - 0.787 | 1.260 | 1.575 | 071032 | |
| | ER 40 | 472 E | 0.118 - 1.024 | 1.575 | 1.811 | 071033 | |
| m | ER 8 | 4004 E | 1.00 - 5.00 | 8.50 | 13.50 | 071034 | |
| | ER 11 | 4008 E | 1.00 - 7.00 | 11.00 | 18.00 | 071028 | |
| | ER 16 | 426 E | 0.50 - 10.00 | 16.00 | 27.50 | 071029 | |
| | ER 25 | 430 E | 1.50 - 16.00 | 25.00 | 34.00 | 071031 | |
| | ER 32 | 470 E | 2.00 - 20.00 | 32.00 | 40.00 | 071032 | |
| | ER 40 | 472 E | 3.00 - 26.00 | 40.00 | 46.00 | 071033 | |

Collets

| | Nominal Size | Diameter | |
|----------|---------------|---------------|---------------|
| | | D_1 | Part No. |
| i | ER 8 | 0.039 | 071986 |
| | ER 8 | 0.059 | 071987 |
| | ER 8 | 0.079 | 071988 |
| | ER 8 | 0.098 | 071989 |
| | ER 8 | 0.102 - 0.118 | 071990 |
| | ER 8 | 0.122 - 0.138 | 071991 |
| | ER 8 | 0.142 - 0.157 | 071992 |
| | ER 8 | 0.161 - 0.177 | 071993 |
| | ER 8 | 0.181 - 0.197 | 071994 |
| | ER 11 | 0.039 | 071700 |
| | ER 11 | 0.059 | 071701 |
| | ER 11 | 0.079 | 071702 |
| | ER 11 | 0.098 | 071703 |
| | ER 11 | 0.102 - 0.118 | 071704 |
| | ER 11 | 0.122 - 0.138 | 071705 |
| | ER 11 | 0.142 - 0.157 | 071706 |
| | ER 11 | 0.161 - 0.177 | 071707 |
| | ER 11 | 0.181 - 0.197 | 071708 |
| | ER 11 | 0.201 - 0.217 | 071709 |
| | ER 11 | 0.220 - 0.354 | 071710 |
| ER 11 | 0.240 - 0.256 | 071711 | |
| ER 11 | 0.260 - 0.276 | 071712 | |

Collets

| | Nominal Size | Diameter | |
|----------|--------------|---------------|---------------|
| | | D_1 | Part No. |
| m | ER 8 | 1.00 | 071986 |
| | ER 8 | 1.50 | 071987 |
| | ER 8 | 2.00 | 071988 |
| | ER 8 | 2.50 | 071989 |
| | ER 8 | 2.60 - 3.00 | 071990 |
| | ER 8 | 3.10 - 3.50 | 071991 |
| | ER 8 | 3.60 - 4.00 | 071992 |
| | ER 8 | 4.10 - 4.50 | 071993 |
| | ER 8 | 4.60 - 5.00 | 071994 |
| | ER 11 | 1.00 | 071700 |
| | ER 11 | 1.50 | 071701 |
| | ER 11 | 2.00 | 071702 |
| | ER 11 | 2.50 | 071703 |
| | ER 11 | 2.60 - 3.00 | 071704 |
| | ER 11 | 3.10 - 3.50 | 071705 |
| | ER 11 | 3.60 - 4.00 | 071706 |
| | ER 11 | 4.10 - 4.50 | 071707 |
| | ER 11 | 4.60 - 5.00 | 071708 |
| | ER 11 | 5.10 - 5.50 | 071709 |
| | ER 11 | 5.60 - 6.00 | 071710 |
| ER 11 | 6.10 - 6.50 | 071711 | |
| ER 11 | 6.60 - 7.00 | 071712 | |

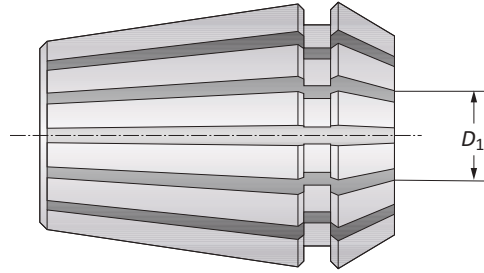


i = Imperial (in)
m = Metric (mm)

A
B
C
D
E
F
G
H
I
J
K
L
M
INDEX

Accessories for Collet Chucks

ISO 15488-B (DIN 6499-B)



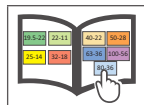
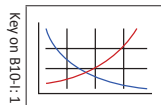
Collets

| | Nominal Size | Diameter | Part No. |
|-------|--------------|---------------|----------|
| | | D_1 | |
| | ER 16 | 0.020 - 0.039 | 071713 |
| | ER 16 | 0.039 - 0.059 | 071714* |
| | ER 16 | 0.039 - 0.079 | 071715 |
| | ER 16 | 0.079 - 0.098 | 071716* |
| | ER 16 | 0.098 - 0.118 | 071717 |
| | ER 16 | 0.118 - 0.138 | 071718* |
| | ER 16 | 0.138 - 0.157 | 071719 |
| | ER 16 | 0.157 - 0.177 | 271132* |
| | ER 16 | 0.157 - 0.197 | 071720 |
| i | ER 16 | 0.197 - 0.217 | 271133* |
| | ER 16 | 0.217 - 0.236 | 071721 |
| | ER 16 | 0.236 - 0.256 | 271134* |
| | ER 16 | 0.236 - 0.276 | 071722 |
| | ER 16 | 0.276 - 0.295 | 271135* |
| | ER 16 | 0.295 - 0.315 | 071723 |
| | ER 16 | 0.315 - 0.335 | 271136* |
| | ER 16 | 0.335 - 0.354 | 071724 |
| | ER 16 | 0.354 - 0.374 | 271137* |
| | ER 16 | 0.354 - 0.394 | 071725 |
| <hr/> | | | |
| | ER 16 | 0.50 - 1.00 | 071713 |
| | ER 16 | 1.00 - 1.50 | 071714* |
| | ER 16 | 1.00 - 2.00 | 071715 |
| | ER 16 | 2.00 - 2.50 | 071716* |
| | ER 16 | 2.50 - 3.00 | 071717 |
| | ER 16 | 3.00 - 3.50 | 071718* |
| | ER 16 | 3.50 - 4.00 | 071719 |
| | ER 16 | 4.00 - 4.50 | 271132* |
| m | ER 16 | 4.00 - 5.00 | 071720 |
| | ER 16 | 5.00 - 5.50 | 271133* |
| | ER 16 | 5.50 - 6.00 | 071721 |
| | ER 16 | 6.00 - 6.50 | 271134* |
| | ER 16 | 6.00 - 7.00 | 071722 |
| | ER 16 | 7.00 - 7.50 | 271135* |
| | ER 16 | 7.50 - 8.00 | 071723 |
| | ER 16 | 8.00 - 8.50 | 271136* |
| | ER 16 | 8.50 - 9.00 | 071724 |
| | ER 16 | 9.00 - 9.50 | 271137* |
| | ER 16 | 9.00 - 10.00 | 071725 |

*Items not contained in set.

B10-M: 12-19

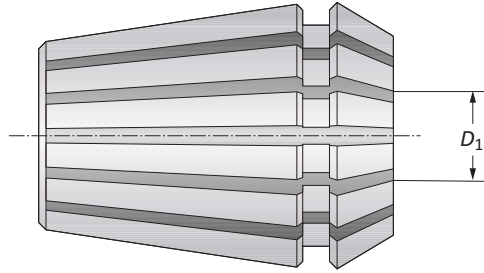
B10: vi-vii



i = Imperial (in)
m = Metric (mm)

Accessories for Collet Chucks

ISO 15488-B (DIN 6499-B)



Collets

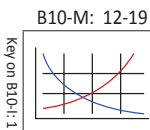
| Nominal Size | Diameter D_1 | Part No. |
|----------------|-------------------|----------------|
| ER 25 | 0.059 - 0.079 | 071743 |
| ER 25 | 0.079 - 0.098 | 071744* |
| ER 25 | 0.098 - 0.118 | 071745 |
| ER 25 | 0.118 - 0.138 | 271128* |
| ER 25 | 0.138 - 0.157 | 071746 |
| ER 25 | 0.157 - 0.177 | 271129* |
| ER 25 | 0.177 - 0.197 | 071747 |
| ER 25 | 0.197 - 0.217 | 271130* |
| ER 25 | 0.217 - 0.236 | 071748 |
| ER 25 | 0.236 - 0.256 | 271131* |
| ER 25 | 0.256 - 0.276 | 071749 |
| ER 25 | 0.276 - 0.315 | 071750 |
| ER 25 | 0.315 - 0.354 | 071751 |
| ER 25 | 0.354 - 0.394 | 071752 |
| ER 25 | 0.394 - 0.433 | 071753 |
| ER 25 | 0.433 - 0.472 | 071754 |
| ER 25 | 0.472 - 0.512 | 071755 |
| ER 25 | 0.512 - 0.551 | 071756 |
| ER 25 | 0.551 - 0.591 | 071757 |
| ER 25 | 0.591 - 0.630 | 071758 |
| i ER 32 | 0.079 - 0.118 | 071761 |
| ER 32 | 0.118 - 0.157 | 071762 |
| ER 32 | 0.157 - 0.197 | 071763 |
| ER 32 | 0.197 - 0.236 | 071764 |
| ER 32 | 0.236 - 0.276 | 071765 |
| ER 32 | 0.276 - 0.315 | 071766 |
| ER 32 | 0.315 - 0.354 | 071767 |
| ER 32 | 0.354 - 0.394 | 071768 |
| ER 32 | 0.394 - 0.433 | 071769 |
| ER 32 | 0.433 - 0.472 | 071770 |
| ER 32 | 0.472 - 0.512 | 071771 |
| ER 32 | 0.512 - 0.551 | 071772 |
| ER 32 | 0.551 - 0.591 | 071773 |
| ER 32 | 0.591 - 0.630 | 071774 |
| ER 32 | 0.630 - 0.669 | 071775 |
| ER 32 | 0.669 - 0.709 | 071776 |
| ER 32 | 0.709 - 0.748 | 071777 |
| ER 32 | 0.748 - 0.787 | 071778 |
| ER 32 | 0.669 - 0.709 | 071776 |
| ER 32 | 0.709 - 0.748 | 071777 |
| ER 32 | 0.748 - 0.787 | 071778 |

*Items not contained in set.

Collets

| Nominal Size | Diameter D_1 | Part No. |
|----------------|-------------------|----------------|
| ER 25 | 1.50 - 2.00 | 071743 |
| ER 25 | 2.00 - 2.50 | 071744* |
| ER 25 | 2.50 - 3.00 | 071745 |
| ER 25 | 3.00 - 3.50 | 271128* |
| ER 25 | 3.50 - 4.00 | 071746 |
| ER 25 | 4.00 - 4.50 | 271129* |
| ER 25 | 4.50 - 5.00 | 071747 |
| ER 25 | 5.00 - 5.50 | 271130* |
| ER 25 | 5.50 - 6.00 | 071748 |
| ER 25 | 6.00 - 6.50 | 271131* |
| ER 25 | 6.50 - 7.00 | 071749 |
| ER 25 | 7.00 - 8.00 | 071750 |
| ER 25 | 8.00 - 9.00 | 071751 |
| ER 25 | 9.00 - 10.00 | 071752 |
| ER 25 | 10.00 - 11.00 | 071753 |
| ER 25 | 11.00 - 12.00 | 071754 |
| ER 25 | 12.00 - 13.00 | 071755 |
| ER 25 | 13.00 - 14.00 | 071756 |
| ER 25 | 14.00 - 15.00 | 071757 |
| ER 25 | 15.00 - 16.00 | 071758 |
| m ER 32 | 2.00 - 3.00 | 071761 |
| ER 32 | 3.00 - 4.00 | 071762 |
| ER 32 | 4.00 - 5.00 | 071763 |
| ER 32 | 5.00 - 6.00 | 071764 |
| ER 32 | 6.00 - 7.00 | 071765 |
| ER 32 | 7.00 - 8.00 | 071766 |
| ER 32 | 8.00 - 9.00 | 071767 |
| ER 32 | 9.00 - 10.00 | 071768 |
| ER 32 | 10.00 - 11.00 | 071769 |
| ER 32 | 11.00 - 12.00 | 071770 |
| ER 32 | 12.00 - 13.00 | 071771 |
| ER 32 | 13.00 - 14.00 | 071772 |
| ER 32 | 14.00 - 15.00 | 071773 |
| ER 32 | 15.00 - 16.00 | 071774 |
| ER 32 | 16.00 - 17.00 | 071775 |
| ER 32 | 17.00 - 18.00 | 071776 |
| ER 32 | 18.00 - 19.00 | 071777 |
| ER 32 | 19.00 - 20.00 | 071778 |

*Items not contained in set.

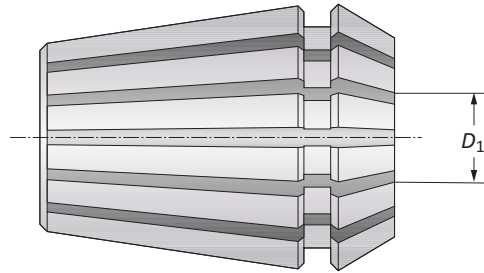


i = Imperial (in)
m = Metric (mm)

A
B
C
D
E
F
G
H
I
J
K
L
M
INDEX

Accessories for Collet Chucks

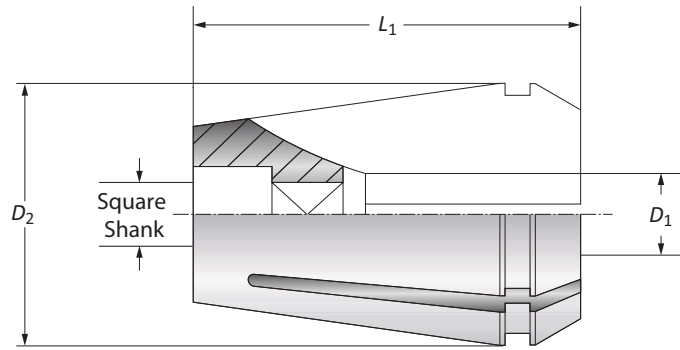
ISO 15488-B (DIN 6499-B)



| Nominal Size | Diameter D_1 | Part No. |
|----------------|-------------------|----------|
| ER 40 | 0.118 - 0.157 | 071779 |
| ER 40 | 0.157 - 0.197 | 071780 |
| ER 40 | 0.197 - 0.236 | 071781 |
| ER 40 | 0.236 - 0.276 | 071782 |
| ER 40 | 0.276 - 0.315 | 071783 |
| ER 40 | 0.315 - 0.354 | 071784 |
| ER 40 | 0.354 - 0.394 | 071785 |
| ER 40 | 0.394 - 0.433 | 071786 |
| ER 40 | 0.433 - 0.472 | 071787 |
| ER 40 | 0.472 - 0.512 | 071788 |
| ER 40 | 0.512 - 0.551 | 071789 |
| i ER 40 | 0.551 - 0.591 | 071790 |
| ER 40 | 0.591 - 0.630 | 071791 |
| ER 40 | 0.630 - 0.669 | 071792 |
| ER 40 | 0.669 - 0.709 | 071793 |
| ER 40 | 0.709 - 0.748 | 071794 |
| ER 40 | 0.748 - 0.787 | 071795 |
| ER 40 | 0.787 - 0.827 | 071796 |
| ER 40 | 0.827 - 0.866 | 071797 |
| ER 40 | 0.866 - 0.906 | 071798 |
| ER 40 | 0.906 - 0.945 | 071799 |
| ER 40 | 0.945 - 0.984 | 071800 |
| ER 40 | 0.984 - 1.024 | 071801 |
| ER 40 | 3.00 - 4.00 | 071779 |
| ER 40 | 4.00 - 5.00 | 071780 |
| ER 40 | 5.00 - 6.00 | 071781 |
| ER 40 | 6.00 - 7.00 | 071782 |
| ER 40 | 7.00 - 8.00 | 071783 |
| ER 40 | 8.00 - 9.00 | 071784 |
| ER 40 | 9.00 - 10.00 | 071785 |
| ER 40 | 10.00 - 11.00 | 071786 |
| ER 40 | 11.00 - 12.00 | 071787 |
| ER 40 | 12.00 - 13.00 | 071788 |
| ER 40 | 13.00 - 14.00 | 071789 |
| m ER 40 | 14.00 - 15.00 | 071790 |
| ER 40 | 15.00 - 16.00 | 071791 |
| ER 40 | 16.00 - 17.00 | 071792 |
| ER 40 | 17.00 - 18.00 | 071793 |
| ER 40 | 18.00 - 19.00 | 071794 |
| ER 40 | 19.00 - 20.00 | 071795 |
| ER 40 | 20.00 - 21.00 | 071796 |
| ER 40 | 21.00 - 22.00 | 071797 |
| ER 40 | 22.00 - 23.00 | 071798 |
| ER 40 | 23.00 - 24.00 | 071799 |
| ER 40 | 24.00 - 25.00 | 071800 |
| ER 40 | 25.00 - 26.00 | 071801 |

Collet Sets for Taps DIN 371/374/376

ISO 15488-B (DIN 6499-B)



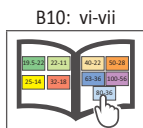
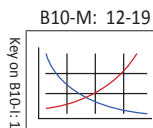
Collet Sets

| | Nominal Size | Standard-No. | Clamping Range | | Collet Set | | Part No. |
|----------|--------------|--------------|----------------|-------|------------|---------------|----------|
| | | | D_1 | D_2 | D_2 | L_1 | |
| i | ER 16 | 426 EGB | 0.177 - 0.276 | 0.630 | 1.083 | 071045 | |
| | ER 25 | 430 EGB | 0.177 - 0.472 | 0.984 | 1.339 | 071047 | |
| | ER 32 | 470 EGB | 0.177 - 0.630 | 1.260 | 1.575 | 071048 | |
| | ER 40 | 472 EGB | 0.276 - 0.787 | 1.575 | 1.811 | 071049 | |
| m | ER 16 | 426 EGB | 4.50 - 7.00 | 16.00 | 27.50 | 071045 | |
| | ER 25 | 430 EGB | 4.50 - 12.00 | 25.00 | 34.00 | 071047 | |
| | ER 32 | 470 EGB | 4.50 - 16.00 | 32.00 | 40.00 | 071048 | |
| | ER 40 | 472 EGB | 7.00 - 20.00 | 40.00 | 46.00 | 071049 | |

NOTE: To lock these collets, we recommend using the clamping nuts with sliding ring for higher clamping forces.

Taps

| | Shank | | Tap | | |
|----------|-------|--------------|-----------|--------------|---------|
| | D_1 | Square Shank | DIN 371 | DIN 374 | DIN 376 |
| i | 0.177 | 0.134 | M 4 | M 6 x... | M 6 |
| | 0.217 | 0.169 | - | M 7 x... | M 7 |
| | 0.236 | 0.193 | M 4,5/5/6 | M 8 x... | M 8 |
| | 0.276 | 0.217 | M 7 | M 9/10 x... | M 9/10 |
| | 0.315 | 0.244 | M 8 | M 6 x... | M 11 |
| | 0.354 | 0.276 | M 9 | M 6 x... | M 12 |
| | 0.394 | 0.315 | M 10 | - | - |
| | 0.433 | 0.354 | - | M 14 x... | M 14 |
| | 0.472 | 0.354 | M 12 | M 16 x... | M 16 |
| | 0.551 | 0.433 | - | M 18 x... | M 18 |
| | 0.630 | 0.472 | - | M 20 x... | M 20 |
| | 0.709 | 0.551 | - | M 22/24 x... | M 22/24 |
| | 0.787 | 0.630 | - | M 27 x... | M 27 |
| m | 4.50 | 3.40 | M 4 | M 6 x... | M 6 |
| | 5.50 | 4.30 | - | M 7 x... | M 7 |
| | 6.00 | 4.90 | M 4,5/5/6 | M 8 x... | M 8 |
| | 7.00 | 5.50 | M 7 | M 9/10 x... | M 9/10 |
| | 8.00 | 6.20 | M 8 | M 6 x... | M 11 |
| | 9.00 | 7.00 | M 9 | M 6 x... | M 12 |
| | 10.00 | 8.00 | M 10 | - | - |
| | 11.00 | 9.00 | - | M 14 x... | M 14 |
| | 12.00 | 9.00 | M 12 | M 16 x... | M 16 |
| | 14.00 | 11.00 | - | M 18 x... | M 18 |
| | 16.00 | 12.00 | - | M 20 x... | M 20 |
| | 18.00 | 14.00 | - | M 22/24 x... | M 22/24 |
| | 20.00 | 16.00 | - | M 27 x... | M 27 |

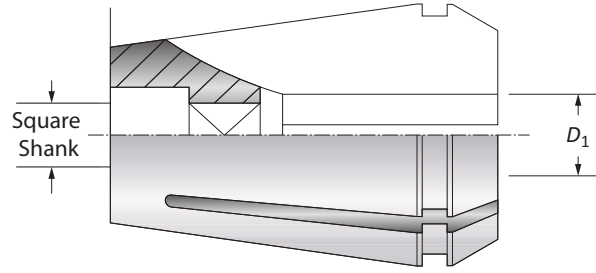


i = Imperial (in)
m = Metric (mm)

A
B
C
D
E
F
G
H
I
J
K
L
M
INDEX

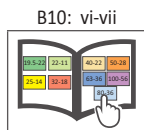
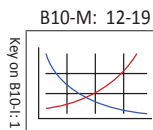
Accessories for Collet Sets for Taps DIN 371/374/376

ISO 15488-B (DIN 6499-B)



| Nominal Size | Suitable Taps | | Part No. |
|--------------|---------------|--------------|---------------|
| | D_1 | Square Shank | |
| ER 16 | 0.177 | 0.134 | 071901 |
| ER 16 | 0.217 | 0.169 | 071902 |
| ER 16 | 0.236 | 0.193 | 071903 |
| ER 16 | 0.276 | 0.217 | 071904 |
| ER 25 | 0.177 | 0.134 | 071912 |
| ER 25 | 0.217 | 0.169 | 071913 |
| ER 25 | 0.236 | 0.193 | 071914 |
| ER 25 | 0.276 | 0.217 | 071915 |
| ER 25 | 0.315 | 0.244 | 071916 |
| ER 25 | 0.354 | 0.276 | 071917 |
| ER 25 | 0.394 | 0.315 | 071918 |
| ER 25 | 0.433 | 0.354 | 071919 |
| ER 25 | 0.472 | 0.354 | 071920 |
| ER 32 | 0.177 | 0.134 | 071921 |
| ER 32 | 0.217 | 0.169 | 071922 |
| ER 32 | 0.236 | 0.193 | 071923 |
| ER 32 | 0.276 | 0.217 | 071924 |
| ER 32 | 0.315 | 0.244 | 071925 |
| ER 32 | 0.354 | 0.276 | 071926 |
| ER 32 | 0.394 | 0.315 | 071927 |
| ER 32 | 0.433 | 0.354 | 071928 |
| ER 32 | 0.472 | 0.354 | 071929 |
| ER 32 | 0.551 | 0.433 | 071930 |
| ER 32 | 0.630 | 0.472 | 071931 |
| ER 40 | 0.276 | 0.217 | 071932 |
| ER 40 | 0.315 | 0.244 | 071933 |
| ER 40 | 0.354 | 0.276 | 071934 |
| ER 40 | 0.394 | 0.315 | 071935 |
| ER 40 | 0.433 | 0.354 | 071936 |
| ER 40 | 0.472 | 0.354 | 071937 |
| ER 40 | 0.551 | 0.433 | 071938 |
| ER 40 | 0.630 | 0.472 | 071939 |
| ER 40 | 0.709 | 0.571 | 071940 |
| ER 40 | 0.787 | 0.630 | 071941 |

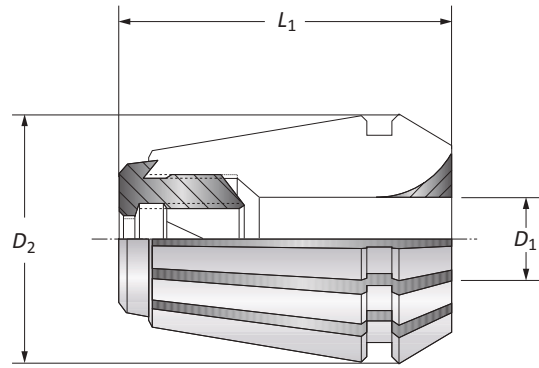
| Nominal Size | Suitable Taps | | Part No. |
|--------------|---------------|--------------|---------------|
| | D_1 | Square Shank | |
| ER 16 | 4.50 | 3.40 | 071901 |
| ER 16 | 5.50 | 4.30 | 071902 |
| ER 16 | 6.00 | 4.90 | 071903 |
| ER 16 | 7.00 | 5.50 | 071904 |
| ER 25 | 4.50 | 3.40 | 071912 |
| ER 25 | 5.50 | 4.30 | 071913 |
| ER 25 | 6.00 | 4.90 | 071914 |
| ER 25 | 7.00 | 5.50 | 071915 |
| ER 25 | 8.00 | 6.20 | 071916 |
| ER 25 | 9.00 | 7.00 | 071917 |
| ER 25 | 10.00 | 8.00 | 071918 |
| ER 25 | 11.00 | 9.00 | 071919 |
| ER 25 | 12.00 | 9.00 | 071920 |
| ER 32 | 4.50 | 3.40 | 071921 |
| ER 32 | 5.50 | 4.30 | 071922 |
| ER 32 | 6.00 | 4.90 | 071923 |
| ER 32 | 7.00 | 5.50 | 071924 |
| ER 32 | 8.00 | 6.20 | 071925 |
| ER 32 | 9.00 | 7.00 | 071926 |
| ER 32 | 10.00 | 8.00 | 071927 |
| ER 32 | 11.00 | 9.00 | 071928 |
| ER 32 | 12.00 | 9.00 | 071929 |
| ER 32 | 14.00 | 11.00 | 071930 |
| ER 32 | 16.00 | 12.00 | 071931 |
| ER 40 | 7.00 | 5.50 | 071932 |
| ER 40 | 8.00 | 6.20 | 071933 |
| ER 40 | 9.00 | 7.00 | 071934 |
| ER 40 | 10.00 | 8.00 | 071935 |
| ER 40 | 11.00 | 9.00 | 071936 |
| ER 40 | 12.00 | 9.00 | 071937 |
| ER 40 | 14.00 | 11.00 | 071938 |
| ER 40 | 16.00 | 12.00 | 071939 |
| ER 40 | 18.00 | 14.50 | 071940 |
| ER 40 | 20.00 | 16.00 | 071941 |



i = Imperial (in)
m = Metric (mm)

Accessories for Collet Chucks: ISO 15488-B (DIN 6499-B)

Collets



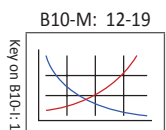
Collets for Mill Cutters with Pull Thread System

| | Nominal Size | Standard-No. | Clamping Range | Collet | | Part No. |
|----------|--------------|--------------|----------------|--------|---------------|---------------|
| | | | D_2 | L_1 | D_1 | |
| i | ER 32 | 470 ECL | 1.260 | 1.811 | 0.236 - 0.630 | 071052 |
| | ER 40 | 472 ECL | 1.575 | 2.047 | 0.236 - 0.984 | 071053 |
| m | ER 32 | 470 ECL | 32.00 | 46.00 | 6.00 - 16.00 | 071052 |
| | ER 40 | 472 ECL | 40.00 | 52.00 | 6.00 - 25.00 | 071053 |

Collets

| | Collet | | Part No. |
|----------|--------------|-------|---------------|
| | Nominal Size | D_1 | |
| i | ER 32 | 0.236 | 071826 |
| | ER 32 | 0.315 | 071827 |
| | ER 32 | 0.394 | 071828 |
| | ER 32 | 0.472 | 071829 |
| | ER 32 | 0.630 | 071830 |
| | ER 40 | 0.236 | 071831 |
| | ER 40 | 0.315 | 071832 |
| | ER 40 | 0.394 | 071833 |
| | ER 40 | 0.472 | 071834 |
| | ER 40 | 0.630 | 071835 |
| m | ER 40 | 0.787 | 071836 |
| | ER 40 | 0.984 | 071837 |
| | ER 32 | 6.00 | 071826 |
| | ER 32 | 8.00 | 071827 |
| | ER 32 | 10.00 | 071828 |
| | ER 32 | 12.00 | 071829 |
| | ER 32 | 16.00 | 071830 |
| | ER 40 | 6.00 | 071831 |
| | ER 40 | 8.00 | 071832 |
| | ER 40 | 10.00 | 071833 |
| | ER 40 | 12.00 | 071834 |
| | ER 40 | 16.00 | 071835 |
| | ER 40 | 20.00 | 071836 |
| | ER 40 | 25.00 | 071837 |

NOTE: To lock these collets, we recommend using the clamping nuts with sliding ring for higher clamping forces.



i = Imperial (in)
m = Metric (mm)

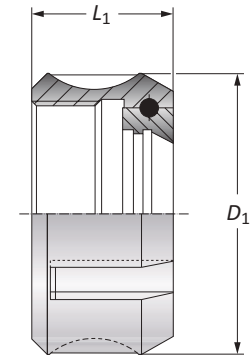
A
B
C
D
E
F
G
H
I
J
K
L
M
INDEX

Accessories for Collet Chucks: ISO 10897 (DIN 6388)

Clamping Nuts

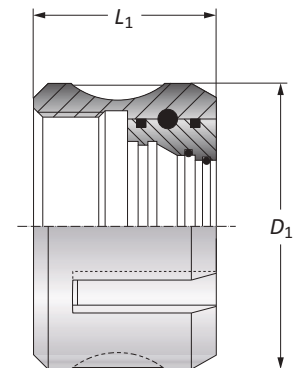
Clamping Nuts: DIN 6388 / ISO 10897 - 1:10

| | Nominal Size | Clamping Nut | | | | Part No. |
|----------|--------------|--------------|-------|----------------|-------------|---------------|
| | | D_1 | L_1 | Clamping Range | Torque | |
| i | 16 | 1.693 | 0.945 | 0.079 - 0.630 | 73.8 lb-ft | 068048 |
| | 25 | 2.362 | 1.181 | 0.079 - 0.984 | 123.8 lb-ft | 068052 |
| | 32 | 2.835 | 1.319 | 0.157 - 1.260 | 162.3 lb-ft | 161099 |
| m | 16 | 43.00 | 24.00 | 2.00 - 16.00 | 100 Nm | 068048 |
| | 25 | 60.00 | 30.00 | 2.00 - 25.00 | 180 Nm | 068052 |
| | 32 | 72.00 | 33.50 | 4.00 - 32.00 | 220 Nm | 161099 |



Clamping Nuts for Sealing Discs: DIN 6388 / ISO 10897 - 1:10

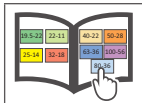
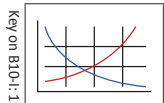
| | Nominal Size | Clamping Nut | | | | Part No. |
|----------|--------------|--------------|-------|----------------|-------------|---------------|
| | | D_1 | L_1 | Clamping Range | Torque | |
| i | 16 | 1.693 | 1.240 | 0.079 - 0.591 | 73.8 lb-ft | 275001 |
| | 25 | 2.362 | 1.496 | 0.079 - 0.984 | 123.8 lb-ft | 275003 |
| | 32 | 2.835 | 1.654 | 0.157 - 1.260 | 162.3 lb-ft | 276001 |
| m | 16 | 43.00 | 31.50 | 2.00 - 16.00 | 100 Nm | 275001 |
| | 25 | 60.00 | 38.00 | 2.00 - 25.00 | 180 Nm | 275003 |
| | 32 | 72.00 | 42.00 | 4.00 - 32.00 | 220 Nm | 276001 |



NOTE: With ball bearing, for use with sealing discs.

B10-M: 12-19

B10: vi-vii



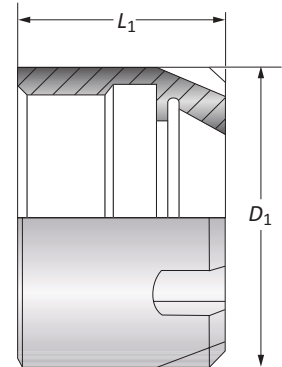
i = Imperial (in)
m = Metric (mm)

Accessories for Collet Chucks: ISO 10897 (DIN 6388)

Clamping Nuts

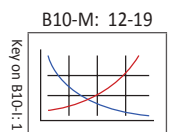
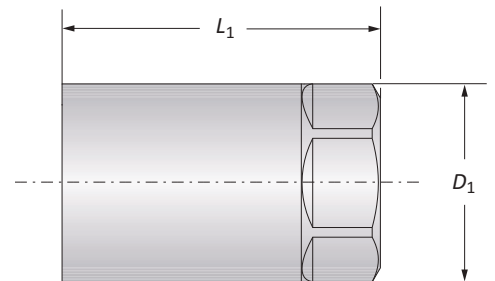
Mini Clamping Nuts

| | Nominal Size | Clamping Nut | | | | Part No. |
|----------|--------------|--------------|-------|----------------|------------|---------------|
| | | D_1 | L_1 | Clamping Range | Torque | |
| i | ER 08 | 0.472 | 0.425 | 0.039 - 0.157 | 5.9 lb-ft | 415357 |
| | ER 11 | 0.630 | 0.472 | 0.039 - 0.276 | 11.8 lb-ft | 415358 |
| | ER 16 | 0.866 | 0.709 | 0.039 - 0.394 | 18.4 lb-ft | 415359 |
| m | ER 08 | 12.00 | 10.80 | 1.00 - 4.00 | 8 Nm | 415357 |
| | ER 11 | 16.00 | 12.00 | 1.00 - 7.00 | 16 Nm | 415358 |
| | ER 16 | 22.00 | 18.00 | 1.00 - 10.00 | 25 Nm | 415359 |



Clamping Nuts for Erickson Collet Chuck System

| | Nominal Size | Clamping Nut | | | Part No. |
|----------|--------------|--------------|-------|----------------|---------------|
| | | D_1 | L_1 | Clamping Range | |
| i | 6 | 0.551 | 1.102 | 0.039 - 0.256 | 162095 |
| | 10 | 0.827 | 1.417 | 0.039 - 0.394 | 162093 |
| m | 6 | 14.00 | 28.00 | 1.00 - 6.50 | 162095 |
| | 10 | 21.00 | 36.00 | 1.00 - 10.00 | 162093 |



i = Imperial (in)
m = Metric (mm)

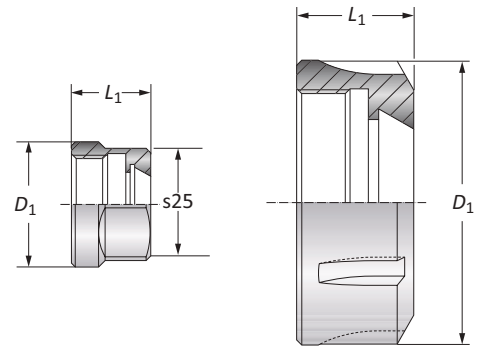
A
B
C
D
E
F
G
H
I
J
K
L
M
INDEX

Accessories for Collet Chucks: ISO 15488 (DIN 6499)

Clamping Nuts

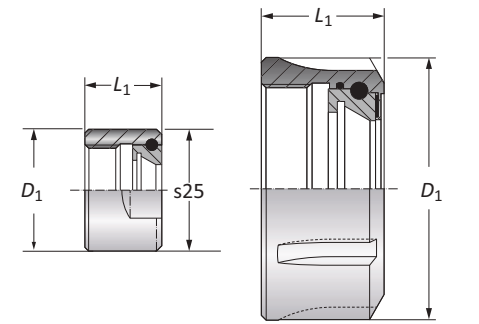
One Piece Clamping Nuts: DIN 6499 / ISO 15488 - 8°

| | Nominal Size | Clamping Nut | | | | Part No. |
|----------|--------------|--------------|-------|----------------|-------------|---------------|
| | | D_1 | L_1 | Clamping Range | Torque | |
| i | ER 16 | 1.102 | 0.689 | 0.039 - 0.394 | 44.3 lb-ft | 215922 |
| | ER 25 | 1.654 | 0.787 | 0.079 - 0.630 | 73.8 lb-ft | 215924 |
| | ER 32 | 1.969 | 0.886 | 0.079 - 0.787 | 103.3 lb-ft | 215925 |
| | ER 40 | 2.480 | 1.004 | 0.118 - 1.024 | 132.8 lb-ft | 215926 |
| m | ER 16 | 28.00 | 17.50 | 1.00 - 10.00 | 60 Nm | 215922 |
| | ER 25 | 42.00 | 20.00 | 2.00 - 16.00 | 100 Nm | 215924 |
| | ER 32 | 50.00 | 22.50 | 2.00 - 20.00 | 140 Nm | 215925 |
| | ER 40 | 63.00 | 25.50 | 3.00 - 26.00 | 180 Nm | 215926 |



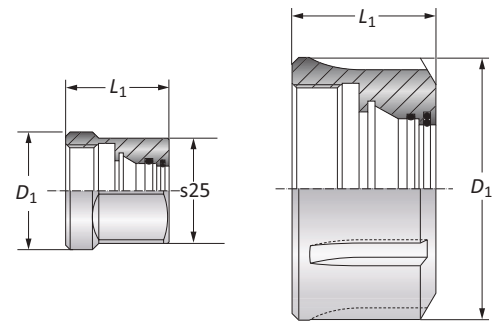
Clamping Nuts with Sliding Ring: DIN 6499 / ISO 15488 - 8°

| | Nominal Size | Clamping Nut | | | | Part No. |
|----------|--------------|--------------|-------|----------------|-------------|---------------|
| | | D_1 | L_1 | Clamping Range | Torque | |
| i | ER 16 | 1.102 | 0.984 | 0.039 - 0.394 | 44.3 lb-ft | 315015 |
| | ER 25 | 1.654 | 1.083 | 0.079 - 0.630 | 73.8 lb-ft | 315016 |
| | ER 32 | 1.969 | 1.201 | 0.079 - 0.787 | 103.3 lb-ft | 315017 |
| | ER 40 | 2.480 | 1.339 | 0.118 - 1.024 | 132.8 lb-ft | 315018 |
| m | ER 16 | 28.00 | 20.30 | 1.00 - 10.00 | 60 Nm | 315015 |
| | ER 25 | 42.00 | 22.40 | 2.00 - 16.00 | 100 Nm | 315016 |
| | ER 32 | 50.00 | 25.00 | 2.00 - 20.00 | 140 Nm | 315017 |
| | ER 40 | 63.00 | 28.30 | 3.00 - 26.00 | 180 Nm | 315018 |



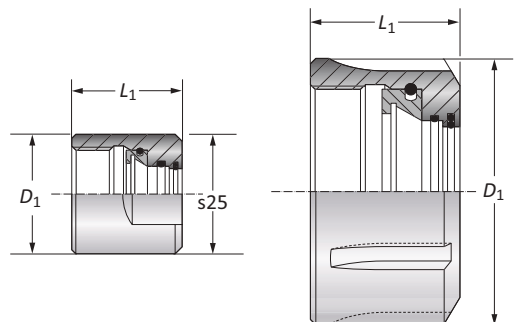
One Piece Clamping Nuts for use with Sealing Disks: DIN 6499 / ISO 15488 - 8°

| | Nominal Size | Clamping Nut | | | | Part No. |
|----------|--------------|--------------|-------|----------------|-------------|---------------|
| | | D_1 | L_1 | Clamping Range | Torque | |
| i | ER 16 | 1.102 | 0.984 | 0.039 - 0.394 | 44.3 lb-ft | 277001 |
| | ER 25 | 1.654 | 1.083 | 0.079 - 0.630 | 73.8 lb-ft | 277005 |
| | ER 32 | 1.969 | 1.201 | 0.079 - 0.787 | 103.3 lb-ft | 277007 |
| | ER 40 | 2.480 | 1.339 | 0.118 - 1.024 | 132.8 lb-ft | 278001 |
| m | ER 16 | 28.00 | 25.00 | 1.00 - 10.00 | 60 Nm | 277001 |
| | ER 25 | 42.00 | 27.50 | 2.00 - 16.00 | 100 Nm | 277005 |
| | ER 32 | 50.00 | 30.50 | 2.00 - 20.00 | 140 Nm | 277007 |
| | ER 40 | 63.00 | 34.00 | 3.00 - 26.00 | 180 Nm | 278001 |



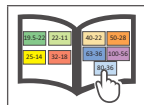
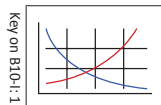
Clamping Nuts with Sliding Ring for use with Sealing Disks: DIN 6499 / ISO 15488 - 8°

| | Nominal Size | Clamping Nuts : ISO 15488 (DIN 6499) | | | | Part No. |
|----------|--------------|--------------------------------------|-------|----------------|-------------|---------------|
| | | D_1 | L_1 | Clamping Range | Torque | |
| i | ER 16 | 1.102 | 0.984 | 0.039 - 0.394 | 44.3 lb-ft | 277002 |
| | ER 25 | 1.654 | 1.122 | 0.079 - 0.630 | 73.8 lb-ft | 277006 |
| | ER 32 | 1.969 | 1.240 | 0.079 - 0.787 | 103.3 lb-ft | 277008 |
| | ER 40 | 2.480 | 1.378 | 0.118 - 1.024 | 132.8 lb-ft | 278002 |
| m | ER 16 | 28.00 | 25.00 | 1.00 - 10.00 | 60 Nm | 277002 |
| | ER 25 | 42.00 | 28.50 | 2.00 - 16.00 | 100 Nm | 277006 |
| | ER 32 | 50.00 | 31.50 | 2.00 - 20.00 | 140 Nm | 277008 |
| | ER 40 | 63.00 | 35.00 | 3.00 - 26.00 | 180 Nm | 278002 |



B10-M: 12-19

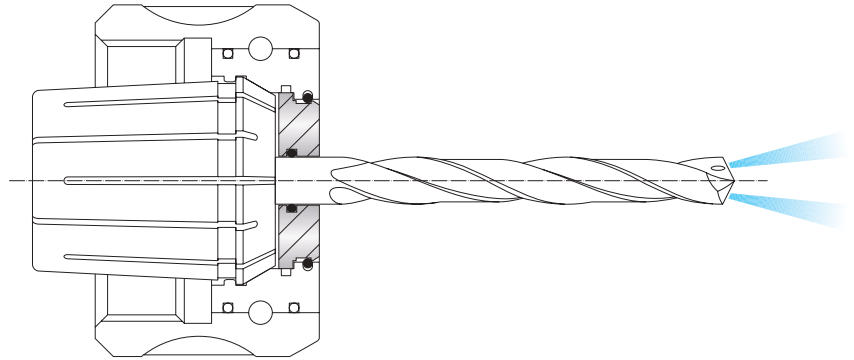
B10: vi-vii



i = Imperial (in)
m = Metric (mm)

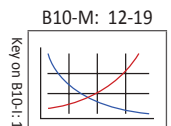
Sealing Disks for Collet Chucks: ISO 10897 (DIN 6388)

Imperial



| Nominal Size | Sealing Disk | | Sealing Disk | | Sealing Disk | | Sealing Disk | |
|--------------|---------------|---------------|---------------|---------------|---------------|---------------|---------------|---------------|
| | Diameter | Part No. | Diameter | Part No. | Diameter | Part No. | Diameter | Part No. |
| 16 | 0.098 - 0.118 | 275010 | 0.236 - 0.256 | 275017 | 0.374 - 0.394 | 275024 | 0.512 - 0.531 | 275031 |
| 16 | 0.118 - 0.138 | 275011 | 0.256 - 0.276 | 275018 | 0.394 - 0.413 | 275025 | 0.531 - 0.551 | 275032 |
| 16 | 0.138 - 0.157 | 275012 | 0.276 - 0.295 | 275019 | 0.413 - 0.433 | 275026 | 0.551 - 0.571 | 275033 |
| 16 | 0.157 - 0.177 | 275013 | 0.295 - 0.315 | 275020 | 0.433 - 0.453 | 275027 | 0.571 - 0.591 | 275034 |
| 16 | 0.177 - 0.197 | 275014 | 0.315 - 0.335 | 275021 | 0.453 - 0.472 | 275028 | 0.591 - 0.610 | 275035 |
| 16 | 0.197 - 0.217 | 275015 | 0.335 - 0.354 | 275022 | 0.472 - 0.492 | 275029 | 0.610 - 0.630 | 275036 |
| 16 | 0.217 - 0.236 | 275016 | 0.354 - 0.374 | 275023 | 0.492 - 0.512 | 275030 | – | – |
| 25 | 0.098 - 0.118 | 275040 | 0.335 - 0.354 | 275052 | 0.571 - 0.591 | 275064 | 0.807 - 0.827 | 275076 |
| 25 | 0.118 - 0.138 | 275041 | 0.354 - 0.374 | 275053 | 0.591 - 0.610 | 275065 | 0.807 - 0.846 | 275077 |
| 25 | 0.138 - 0.157 | 275042 | 0.374 - 0.394 | 275054 | 0.610 - 0.630 | 275066 | 0.846 - 0.866 | 275078 |
| 25 | 0.157 - 0.177 | 275043 | 0.394 - 0.413 | 275055 | 0.630 - 0.650 | 275067 | 0.866 - 0.886 | 275079 |
| 25 | 0.177 - 0.197 | 275044 | 0.413 - 0.433 | 275056 | 0.650 - 0.669 | 275068 | 0.886 - 0.906 | 275080 |
| 25 | 0.197 - 0.217 | 275045 | 0.433 - 0.453 | 275057 | 0.669 - 0.689 | 275069 | 0.906 - 0.925 | 275081 |
| 25 | 0.217 - 0.236 | 275046 | 0.453 - 0.472 | 275058 | 0.689 - 0.709 | 275070 | 0.925 - 0.945 | 275082 |
| 25 | 0.236 - 0.256 | 275047 | 0.472 - 0.492 | 275059 | 0.709 - 0.728 | 275071 | 0.945 - 0.965 | 275083 |
| 25 | 0.256 - 0.276 | 275048 | 0.492 - 0.512 | 275060 | 0.728 - 0.748 | 275072 | 0.965 - 0.984 | 275084 |
| 25 | 0.276 - 0.295 | 275049 | 0.512 - 0.531 | 275061 | 0.748 - 0.768 | 275073 | – | – |
| 25 | 0.295 - 0.315 | 275050 | 0.531 - 0.551 | 275062 | 0.768 - 0.787 | 275074 | – | – |
| 25 | 0.315 - 0.335 | 275051 | 0.551 - 0.571 | 275063 | 0.787 - 0.807 | 275075 | – | – |
| 32 | 0.138 - 0.157 | 276005 | 0.433 - 0.453 | 276020 | 0.728 - 0.748 | 276035 | 1.024 - 1.043 | 276050 |
| 32 | 0.157 - 0.177 | 276006 | 0.453 - 0.472 | 276021 | 0.748 - 0.768 | 276036 | 1.043 - 1.063 | 276051 |
| 32 | 0.177 - 0.197 | 276007 | 0.472 - 0.492 | 276022 | 0.768 - 0.787 | 276037 | 1.063 - 1.102 | 276052 |
| 32 | 0.197 - 0.217 | 276008 | 0.492 - 0.512 | 276023 | 0.787 - 0.807 | 276038 | 1.063 - 1.102 | 276053 |
| 32 | 0.217 - 0.236 | 276009 | 0.512 - 0.531 | 276024 | 0.807 - 0.827 | 276039 | 1.102 - 1.102 | 276054 |
| 32 | 0.236 - 0.256 | 276010 | 0.531 - 0.551 | 276025 | 0.827 - 0.846 | 276040 | 1.122 - 1.142 | 276055 |
| 32 | 0.256 - 0.276 | 276011 | 0.551 - 0.571 | 276026 | 0.846 - 0.866 | 276041 | 1.142 - 1.161 | 276056 |
| 32 | 0.276 - 0.295 | 276012 | 0.571 - 0.591 | 276027 | 0.866 - 0.886 | 276042 | 1.161 - 1.181 | 276057 |
| 32 | 0.295 - 0.315 | 276013 | 0.591 - 0.610 | 276028 | 0.886 - 0.906 | 276043 | 1.181 - 1.201 | 276058 |
| 32 | 0.315 - 0.335 | 276014 | 0.610 - 0.630 | 276029 | 0.906 - 0.925 | 276044 | 1.201 - 1.220 | 276059 |
| 32 | 0.335 - 0.354 | 276015 | 0.630 - 0.650 | 276030 | 0.925 - 0.945 | 276045 | 1.220 - 1.240 | 276060 |
| 32 | 0.354 - 0.374 | 276016 | 0.650 - 0.669 | 276031 | 0.945 - 0.965 | 276046 | 1.240 - 1.260 | 276061 |
| 32 | 0.374 - 0.394 | 276017 | 0.669 - 0.689 | 276032 | 0.965 - 0.984 | 276047 | – | – |
| 32 | 0.394 - 0.413 | 276018 | 0.669 - 0.709 | 276033 | 0.984 - 1.004 | 276048 | – | – |
| 32 | 0.413 - 0.433 | 276019 | 0.709 - 0.728 | 276034 | 1.004 - 1.024 | 276049 | – | – |

i

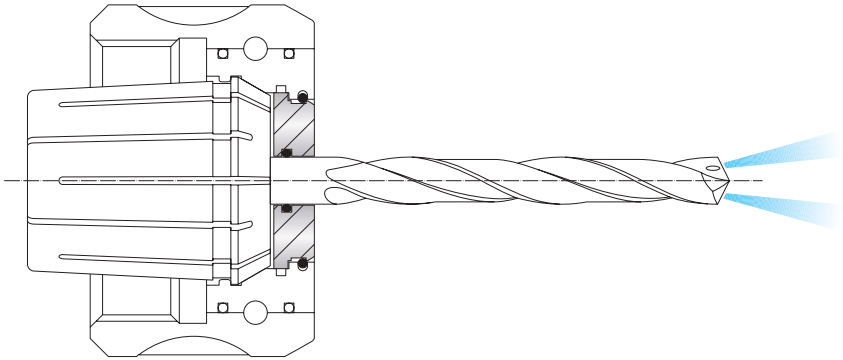


i = Imperial (in)
m = Metric (mm)

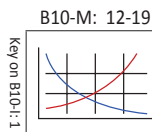
A
B
C
D
E
F
G
H
I
J
K
L
M
INDEX

Sealing Disks for Collet Chucks: ISO 10897 (DIN 6388)

Metric



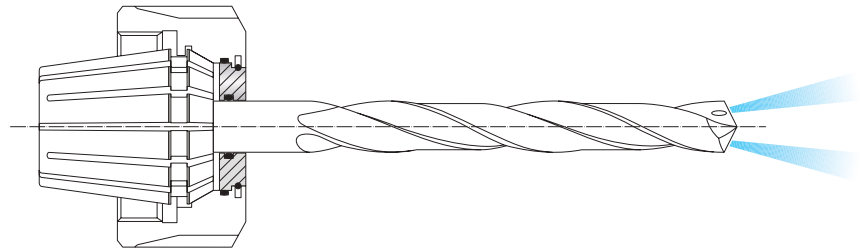
| Nominal Size | Sealing Disk | | Sealing Disk | | Sealing Disk | | Sealing Disk | |
|--------------|---------------|---------------|---------------|---------------|---------------|---------------|---------------|---------------|
| | Diameter | Part No. | Diameter | Part No. | Diameter | Part No. | Diameter | Part No. |
| 16 | 2.50 - 3.00 | 275010 | 6.00 - 6.50 | 275017 | 9.50 - 10.00 | 275024 | 13.00 - 13.50 | 275031 |
| 16 | 3.00 - 3.50 | 275011 | 6.50 - 7.00 | 275018 | 10.00 - 10.50 | 275025 | 13.50 - 14.00 | 275032 |
| 16 | 3.50 - 4.00 | 275012 | 7.00 - 7.50 | 275019 | 10.50 - 11.00 | 275026 | 14.00 - 14.50 | 275033 |
| 16 | 4.00 - 4.50 | 275013 | 7.50 - 8.00 | 275020 | 11.00 - 11.50 | 275027 | 14.50 - 15.00 | 275034 |
| 16 | 4.50 - 5.00 | 275014 | 8.00 - 8.50 | 275021 | 11.50 - 12.00 | 275028 | 15.00 - 15.50 | 275035 |
| 16 | 5.00 - 5.50 | 275015 | 8.50 - 9.00 | 275022 | 12.00 - 12.50 | 275029 | 15.50 - 16.00 | 275036 |
| 16 | 5.50 - 6.00 | 275016 | 9.00 - 9.50 | 275023 | 12.50 - 13.00 | 275030 | - | - |
| 25 | 2.50 - 3.00 | 275040 | 8.50 - 9.00 | 275052 | 14.50 - 15.00 | 275064 | 20.50 - 21.00 | 275076 |
| 25 | 3.00 - 3.50 | 275041 | 9.00 - 9.50 | 275053 | 15.00 - 15.50 | 275065 | 21.00 - 21.50 | 275077 |
| 25 | 3.50 - 4.00 | 275042 | 9.50 - 10.00 | 275054 | 15.50 - 16.00 | 275066 | 21.50 - 22.00 | 275078 |
| 25 | 4.00 - 4.50 | 275043 | 10.00 - 10.50 | 275055 | 16.00 - 16.50 | 275067 | 22.00 - 22.50 | 275079 |
| 25 | 4.50 - 5.00 | 275044 | 10.50 - 11.00 | 275056 | 16.50 - 17.00 | 275068 | 22.50 - 23.00 | 275080 |
| 25 | 5.00 - 5.50 | 275045 | 11.00 - 11.50 | 275057 | 17.00 - 17.50 | 275069 | 23.00 - 23.50 | 275081 |
| 25 | 5.50 - 6.00 | 275046 | 11.50 - 12.00 | 275058 | 17.50 - 18.00 | 275070 | 23.50 - 24.00 | 275082 |
| 25 | 6.00 - 6.50 | 275047 | 12.00 - 12.50 | 275059 | 18.00 - 18.50 | 275071 | 24.00 - 24.50 | 275083 |
| 25 | 6.50 - 7.00 | 275048 | 12.50 - 13.00 | 275060 | 18.50 - 19.00 | 275072 | 24.50 - 25.00 | 275084 |
| 25 | 7.00 - 7.50 | 275049 | 13.00 - 13.50 | 275061 | 19.00 - 19.50 | 275073 | - | - |
| 25 | 7.50 - 8.00 | 275050 | 13.50 - 14.00 | 275062 | 19.50 - 20.00 | 275074 | - | - |
| 25 | 8.00 - 8.50 | 275051 | 14.00 - 14.50 | 275063 | 20.00 - 20.50 | 275075 | - | - |
| 32 | 3.50 - 4.00 | 276005 | 11.00 - 11.50 | 276020 | 18.50 - 19.00 | 276035 | 26.00 - 26.50 | 276050 |
| 32 | 4.00 - 4.50 | 276006 | 11.50 - 12.00 | 276021 | 19.00 - 19.50 | 276036 | 26.50 - 27.00 | 276051 |
| 32 | 4.50 - 5.00 | 276007 | 12.00 - 12.50 | 276022 | 19.50 - 20.00 | 276037 | 27.50 - 28.00 | 276052 |
| 32 | 5.00 - 5.50 | 276008 | 12.50 - 13.00 | 276023 | 20.00 - 20.50 | 276038 | 27.50 - 28.00 | 276053 |
| 32 | 5.50 - 6.00 | 276009 | 13.00 - 13.50 | 276024 | 20.50 - 21.00 | 276039 | 28.00 - 28.50 | 276054 |
| 32 | 6.00 - 6.50 | 276010 | 13.50 - 14.00 | 276025 | 21.00 - 21.50 | 276040 | 28.50 - 29.00 | 276055 |
| 32 | 6.50 - 7.00 | 276011 | 14.00 - 14.50 | 276026 | 21.50 - 22.00 | 276041 | 29.00 - 29.50 | 276056 |
| 32 | 7.00 - 7.50 | 276012 | 14.50 - 15.00 | 276027 | 22.00 - 22.50 | 276042 | 29.50 - 30.00 | 276057 |
| 32 | 7.50 - 8.00 | 276013 | 15.00 - 15.50 | 276028 | 22.50 - 23.00 | 276043 | 30.00 - 30.50 | 276058 |
| 32 | 8.00 - 8.50 | 276014 | 15.50 - 16.00 | 276029 | 23.00 - 23.50 | 276044 | 30.50 - 31.00 | 276059 |
| 32 | 8.50 - 9.00 | 276015 | 16.00 - 16.50 | 276030 | 23.50 - 24.00 | 276045 | 31.00 - 31.50 | 276060 |
| 32 | 9.00 - 9.50 | 276016 | 16.50 - 17.00 | 276031 | 24.00 - 24.50 | 276046 | 31.50 - 32.00 | 276061 |
| 32 | 9.50 - 10.00 | 276017 | 17.00 - 17.50 | 276032 | 24.50 - 25.00 | 276047 | - | - |
| 32 | 10.00 - 10.50 | 276018 | 17.50 - 18.00 | 276033 | 25.00 - 25.50 | 276048 | - | - |
| 32 | 10.50 - 11.00 | 276019 | 18.00 - 18.50 | 276034 | 25.50 - 26.00 | 276049 | - | - |



i = Imperial (in)
m = Metric (mm)

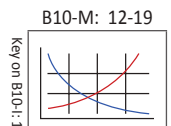
Sealing Disks Collet Chucks: ISO 15488 (DIN 6499)

Imperial



| Nominal Size | Sealing Disk | | Sealing Disk | | Sealing Disk | | Sealing Disk | |
|--------------|---------------|---------------|---------------|---------------|---------------|---------------|---------------|---------------|
| | Diameter | Part No. | Diameter | Part No. | Diameter | Part No. | Diameter | Part No. |
| ER 16 | 0.098 - 0.118 | 277010 | 0.177 - 0.197 | 277014 | 0.256 - 0.276 | 277018 | 0.335 - 0.354 | 277022 |
| ER 16 | 0.117 - 0.138 | 277011 | 0.197 - 0.217 | 277015 | 0.276 - 0.295 | 277019 | 0.354 - 0.374 | 277023 |
| ER 16 | 0.138 - 0.157 | 277012 | 0.217 - 0.236 | 277016 | 0.295 - 0.315 | 277020 | 0.374 - 0.394 | 277024 |
| ER 16 | 0.157 - 0.177 | 277013 | 0.236 - 0.256 | 277017 | 0.315 - 0.335 | 277021 | – | – |
| ER 25 | 0.098 - 0.118 | 277025 | 0.236 - 0.256 | 277032 | 0.374 - 0.394 | 277039 | 0.512 - 0.531 | 277046 |
| ER 25 | 0.118 - 0.138 | 277026 | 0.256 - 0.276 | 277033 | 0.394 - 0.413 | 277040 | 0.531 - 0.551 | 277047 |
| ER 25 | 0.138 - 0.157 | 277027 | 0.276 - 0.295 | 277034 | 0.413 - 0.433 | 277041 | 0.551 - 0.571 | 277048 |
| ER 25 | 0.157 - 0.177 | 277028 | 0.295 - 0.315 | 277035 | 0.433 - 0.453 | 277042 | 0.571 - 0.591 | 277049 |
| ER 25 | 0.177 - 0.197 | 277029 | 0.315 - 0.335 | 277036 | 0.453 - 0.472 | 277043 | 0.591 - 0.610 | 277050 |
| ER 25 | 0.197 - 0.217 | 277030 | 0.335 - 0.354 | 277037 | 0.472 - 0.492 | 277044 | 0.610 - 0.630 | 277051 |
| ER 25 | 0.217 - 0.236 | 277031 | 0.354 - 0.374 | 277038 | 0.492 - 0.512 | 277045 | – | – |
| ER 32 | 0.098 - 0.118 | 277055 | 0.276 - 0.295 | 277064 | 0.453 - 0.472 | 277073 | 0.630 - 0.650 | 277082 |
| ER 32 | 0.118 - 0.138 | 277056 | 0.295 - 0.315 | 277065 | 0.472 - 0.492 | 277074 | 0.650 - 0.669 | 277083 |
| ER 32 | 0.138 - 0.157 | 277057 | 0.315 - 0.335 | 277066 | 0.492 - 0.512 | 277075 | 0.669 - 0.689 | 277084 |
| ER 32 | 0.157 - 0.177 | 277058 | 0.335 - 0.354 | 277067 | 0.512 - 0.531 | 277076 | 0.689 - 0.709 | 277085 |
| ER 32 | 0.177 - 0.197 | 277059 | 0.354 - 0.374 | 277068 | 0.531 - 0.551 | 277077 | 0.709 - 0.728 | 277086 |
| ER 32 | 0.197 - 0.217 | 277060 | 0.374 - 0.394 | 277069 | 0.551 - 0.571 | 277078 | 0.728 - 0.748 | 277087 |
| ER 32 | 0.217 - 0.236 | 277061 | 0.394 - 0.413 | 277070 | 0.571 - 0.591 | 277079 | 0.748 - 0.768 | 277088 |
| ER 32 | 0.236 - 0.256 | 277062 | 0.413 - 0.433 | 277071 | 0.591 - 0.610 | 277080 | 0.768 - 0.787 | 277089 |
| ER 32 | 0.256 - 0.276 | 277063 | 0.433 - 0.453 | 277072 | 0.610 - 0.630 | 277081 | – | – |
| ER 40 | 0.098 - 0.118 | 278005 | 0.335 - 0.354 | 278017 | 0.571 - 0.591 | 278029 | 0.807 - 0.827 | 278041 |
| ER 40 | 0.118 - 0.138 | 278006 | 0.354 - 0.374 | 278018 | 0.591 - 0.610 | 278030 | 0.827 - 0.846 | 278042 |
| ER 40 | 0.138 - 0.157 | 278007 | 0.374 - 0.394 | 278019 | 0.610 - 0.630 | 278031 | 0.846 - 0.866 | 278043 |
| ER 40 | 0.157 - 0.177 | 278008 | 0.394 - 0.413 | 278020 | 0.630 - 0.650 | 278032 | 0.866 - 0.886 | 278044 |
| ER 40 | 0.177 - 0.197 | 278009 | 0.413 - 0.433 | 278021 | 0.650 - 0.669 | 278033 | 0.866 - 0.906 | 278045 |
| ER 40 | 0.197 - 0.217 | 278010 | 0.433 - 0.453 | 278022 | 0.669 - 0.689 | 278034 | 0.906 - 0.925 | 278046 |
| ER 40 | 0.217 - 0.236 | 278011 | 0.453 - 0.472 | 278023 | 0.689 - 0.709 | 278035 | 0.925 - 0.945 | 278047 |
| ER 40 | 0.236 - 0.256 | 278012 | 0.472 - 0.492 | 278024 | 0.709 - 0.728 | 278036 | 0.945 - 0.965 | 278048 |
| ER 40 | 0.256 - 0.276 | 278013 | 0.492 - 0.512 | 278025 | 0.728 - 0.748 | 278037 | 0.965 - 0.984 | 278049 |
| ER 40 | 0.276 - 0.295 | 278014 | 0.512 - 0.531 | 278026 | 0.748 - 0.768 | 278038 | 0.984 - 1.004 | 278050 |
| ER 40 | 0.295 - 0.315 | 278015 | 0.531 - 0.551 | 278027 | 0.768 - 0.787 | 278039 | 1.004 - 1.024 | 278051 |
| ER 40 | 0.315 - 0.335 | 278016 | 0.551 - 0.571 | 278028 | 0.787 - 0.807 | 278040 | – | – |

i

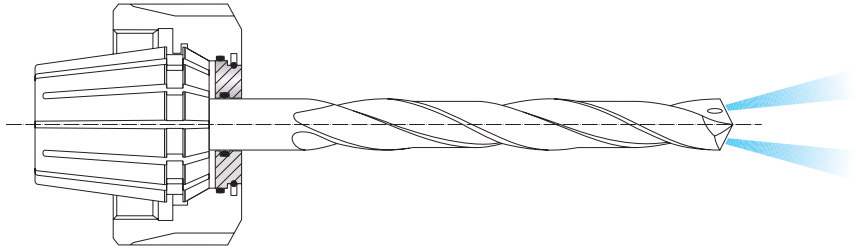


i = Imperial (in)
m = Metric (mm)

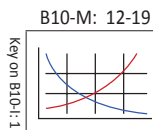
A
B
C
D
E
F
G
H
I
J
K
L
M
INDEX

Sealing Disks Collet Chucks: ISO 15488 (DIN 6499)

Metric



| Nominal Size | Sealing Disk | | Sealing Disk | | Sealing Disk | | Sealing Disk | |
|--------------|--------------|----------|---------------|----------|---------------|----------|---------------|----------|
| | Diameter | Part No. | Diameter | Part No. | Diameter | Part No. | Diameter | Part No. |
| ER 16 | 2.50 - 3.00 | 277010 | 4.50 - 5.00 | 277014 | 6.50 - 7.00 | 277018 | 8.50 - 9.00 | 277022 |
| ER 16 | 3.00 - 3.50 | 277011 | 5.00 - 5.50 | 277015 | 7.00 - 7.50 | 277019 | 9.00 - 9.50 | 277023 |
| ER 16 | 3.50 - 4.00 | 277012 | 5.50 - 6.00 | 277016 | 7.50 - 8.00 | 277020 | 9.50 - 10.00 | 277024 |
| ER 16 | 4.00 - 4.50 | 277013 | 6.00 - 6.50 | 277017 | 8.00 - 8.50 | 277021 | - | - |
| ER 25 | 2.50 - 3.00 | 277025 | 6.00 - 6.50 | 277032 | 9.50 - 10.00 | 277039 | 13.00 - 13.50 | 277046 |
| ER 25 | 3.00 - 3.50 | 277026 | 6.50 - 7.00 | 277033 | 10.00 - 10.50 | 277040 | 13.50 - 14.00 | 277047 |
| ER 25 | 3.50 - 4.00 | 277027 | 7.00 - 7.50 | 277034 | 10.50 - 11.00 | 277041 | 14.00 - 14.50 | 277048 |
| ER 25 | 4.00 - 4.50 | 277028 | 7.50 - 8.00 | 277035 | 11.00 - 11.50 | 277042 | 14.50 - 15.00 | 277049 |
| ER 25 | 4.50 - 5.00 | 277029 | 8.00 - 8.50 | 277036 | 11.50 - 12.00 | 277043 | 15.00 - 15.50 | 277050 |
| ER 25 | 5.00 - 5.50 | 277030 | 8.50 - 9.00 | 277037 | 12.00 - 12.50 | 277044 | 15.50 - 16.00 | 277051 |
| ER 25 | 5.50 - 6.00 | 277031 | 9.00 - 9.50 | 277038 | 12.50 - 13.00 | 277045 | - | - |
| ER 32 | 2.50 - 3.00 | 277055 | 7.00 - 7.50 | 277064 | 11.50 - 12.00 | 277073 | 16.00 - 16.50 | 277082 |
| ER 32 | 3.00 - 3.50 | 277056 | 7.50 - 8.00 | 277065 | 12.00 - 12.50 | 277074 | 16.50 - 17.00 | 277083 |
| ER 32 | 3.50 - 4.00 | 277057 | 8.00 - 8.50 | 277066 | 12.50 - 13.00 | 277075 | 17.00 - 17.50 | 277084 |
| ER 32 | 4.00 - 4.50 | 277058 | 8.50 - 9.00 | 277067 | 13.00 - 13.50 | 277076 | 17.50 - 18.00 | 277085 |
| ER 32 | 4.50 - 5.00 | 277059 | 9.00 - 9.50 | 277068 | 13.50 - 14.00 | 277077 | 18.00 - 18.50 | 277086 |
| ER 32 | 5.00 - 5.50 | 277060 | 9.50 - 10.00 | 277069 | 14.00 - 14.50 | 277078 | 18.50 - 19.00 | 277087 |
| ER 32 | 5.50 - 6.00 | 277061 | 10.00 - 10.50 | 277070 | 14.50 - 15.00 | 277079 | 19.00 - 19.50 | 277088 |
| ER 32 | 6.00 - 6.50 | 277062 | 10.50 - 11.00 | 277071 | 15.00 - 15.50 | 277080 | 19.50 - 20.00 | 277089 |
| ER 32 | 6.50 - 7.00 | 277063 | 11.00 - 11.50 | 277072 | 15.50 - 16.00 | 277081 | - | - |
| ER 40 | 2.50 - 3.00 | 278005 | 8.50 - 9.00 | 278017 | 14.50 - 15.00 | 278029 | 20.50 - 21.00 | 278041 |
| ER 40 | 3.00 - 3.50 | 278006 | 9.00 - 9.50 | 278018 | 15.00 - 15.50 | 278030 | 21.00 - 21.50 | 278042 |
| ER 40 | 3.50 - 4.00 | 278007 | 9.50 - 10.00 | 278019 | 15.50 - 16.00 | 278031 | 21.50 - 22.00 | 278043 |
| ER 40 | 4.00 - 4.50 | 278008 | 10.00 - 10.50 | 278020 | 16.00 - 16.50 | 278032 | 22.00 - 22.50 | 278044 |
| ER 40 | 4.50 - 5.00 | 278009 | 10.50 - 11.00 | 278021 | 16.50 - 17.00 | 278033 | 22.50 - 23.00 | 278045 |
| ER 40 | 5.00 - 5.50 | 278010 | 11.00 - 11.50 | 278022 | 17.00 - 17.50 | 278034 | 23.00 - 23.50 | 278046 |
| ER 40 | 5.50 - 6.00 | 278011 | 11.50 - 12.00 | 278023 | 17.50 - 18.00 | 278035 | 23.50 - 24.00 | 278047 |
| ER 40 | 6.00 - 6.50 | 278012 | 12.00 - 12.50 | 278024 | 18.00 - 18.50 | 278036 | 24.00 - 24.50 | 278048 |
| ER 40 | 6.50 - 7.00 | 278013 | 12.50 - 13.00 | 278025 | 18.50 - 19.00 | 278037 | 24.50 - 25.00 | 278049 |
| ER 40 | 7.00 - 7.50 | 278014 | 13.00 - 13.50 | 278026 | 19.00 - 19.50 | 278038 | 25.00 - 25.50 | 278050 |
| ER 40 | 7.50 - 8.00 | 278015 | 13.50 - 14.00 | 278027 | 19.50 - 20.00 | 278039 | 25.50 - 26.00 | 278051 |
| ER 40 | 8.00 - 8.50 | 278016 | 14.00 - 14.50 | 278028 | 20.00 - 20.50 | 278040 | - | - |

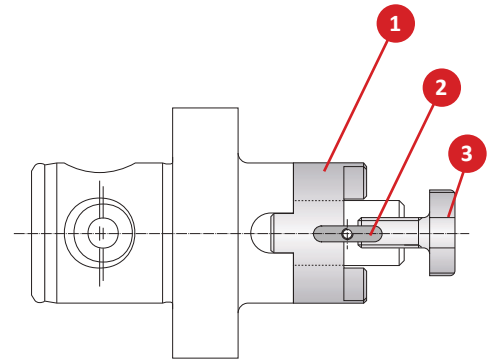


i = Imperial (in)
m = Metric (mm)

Accessories for Milling Machine Arbors

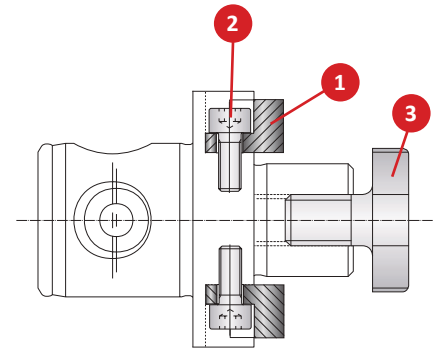
Accessories for Milling Machine Arbors

| Shell-Mill Adapter | Part No. | | |
|--------------------|---------------------|-------------------|-------------------|
| | 1 Clutch Drive Ring | 2 Axial Drive Key | 3 Retaining Screw |
| 13 | 115708 | 115709 | 115707 |
| 16 | 115696 | 215608 | 115697 |
| 22 | 115341 | 215609 | 115345 |
| 27 | 115342 | 215610 | 115346 |
| 32 | 115343 | 215611 | 115347 |
| 40 | 115344 | 215612 | 115348 |



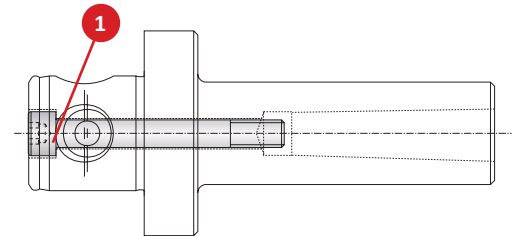
Accessories for Milling Machine Arbors

| Shell-Mill Adapter | Part No. | | |
|--------------------|-------------|-------------|-------------------|
| | 1 Drive Key | 2 Cap Screw | 3 Retaining Screw |
| 16 | 215701 | 115566 | 115697 |
| 22 | 215702 | 108109 | 115345 |
| 27 | 215703 | 108109 | 115346 |
| 32 | 215704 | 115147 | 115347 |
| 40 | 215705 | 116152 | 115348 |
| 60 | 115643 | 115237 | - |

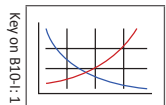


Accessories for Holding Arbors

| Adapter Sleeves | Part No. | |
|-----------------|-------------|-------------|
| | 1 Cap Screw | Service Key |
| 209022 | 115929 | s5 |
| 209023 | 115930 | s7 |
| 209024 | 115932 | s8 |
| 209025 | 115933 | s5 |
| 209026 | 115169 | s8 |
| 209027 | 115934 | s10 |
| 209028 | 115936 | s12 |



B10-M: 12-19



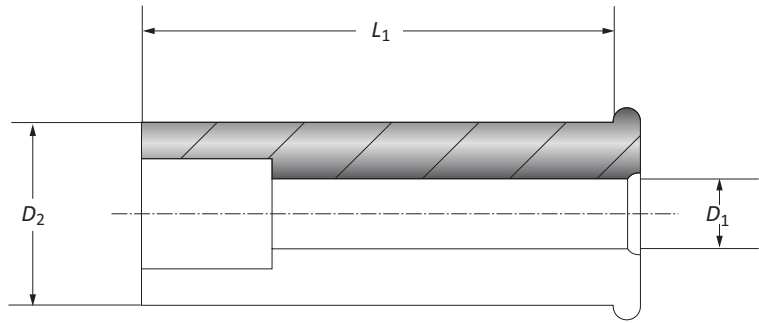
B10: vi-vii



i = Imperial (in)
m = Metric (mm)

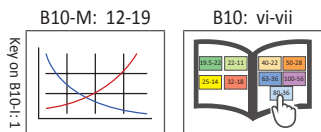
A
B
C
D
E
F
G
H
I
J
K
L
M
INDEX

Reducing Sleeves for Hydraulic Clamping Chucks



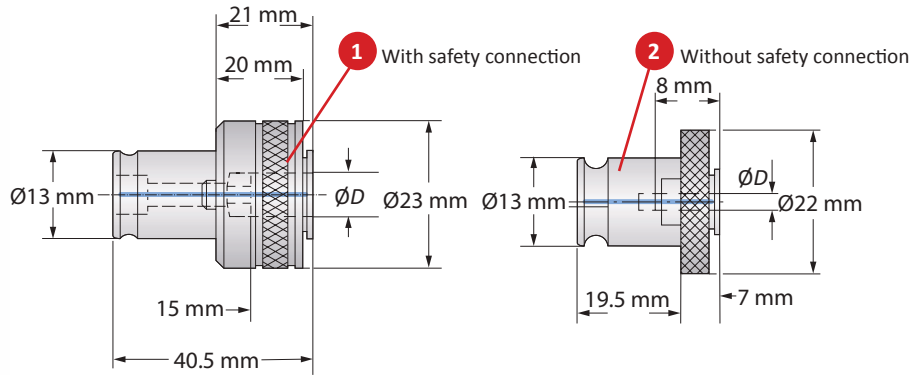
| | Nominal Size | Reducing Sleeve | | Part No. |
|-------|--------------|-----------------|-------|----------|
| | D_2 | D_1 | L_1 | |
| | 0.787 | 0.118 | 1.988 | 271045 |
| | 0.787 | 0.157 | 1.988 | 271046 |
| | 0.787 | 0.197 | 1.988 | 271047 |
| | 0.787 | 0.236 | 1.988 | 271070 |
| | 0.787 | 0.276 | 1.988 | 271049 |
| | 0.787 | 0.315 | 1.988 | 271004 |
| | 0.787 | 0.354 | 1.988 | 271050 |
| | 0.787 | 0.394 | 1.988 | 271005 |
| | 0.787 | 0.433 | 1.988 | 271051 |
| | 0.787 | 0.472 | 1.988 | 271073 |
| | 0.787 | 0.512 | 1.988 | 271052 |
| | 0.787 | 0.551 | 1.988 | 271074 |
| | 0.787 | 0.591 | 1.988 | 271018 |
| | 0.787 | 0.630 | 1.988 | 271008 |
| <hr/> | | | | |
| | 20.00 | 3.00 | 50.50 | 271045 |
| | 20.00 | 4.00 | 50.50 | 271046 |
| | 20.00 | 5.00 | 50.50 | 271047 |
| | 20.00 | 6.00 | 50.50 | 271070 |
| | 20.00 | 7.00 | 50.50 | 271049 |
| | 20.00 | 8.00 | 50.50 | 271004 |
| | 20.00 | 9.00 | 50.50 | 271050 |
| | 20.00 | 10.00 | 50.50 | 271005 |
| | 20.00 | 11.00 | 50.50 | 271051 |
| | 20.00 | 12.00 | 50.50 | 271073 |
| | 20.00 | 13.00 | 50.50 | 271052 |
| | 20.00 | 14.00 | 50.50 | 271074 |
| | 20.00 | 15.00 | 50.50 | 271018 |
| | 20.00 | 16.00 | 50.50 | 271008 |

NOTE: For cylindrical shanks with shank tolerance h6 for clamping diameter 3 mm and 8 mm and with shank tolerance h7 for clamping diameter 10 mm - 32 mm.
NOTE: Reduction sleeve with adjustable stop.

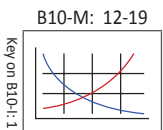


i = Imperial (in)
m = Metric (mm)

Quick Change Adapters



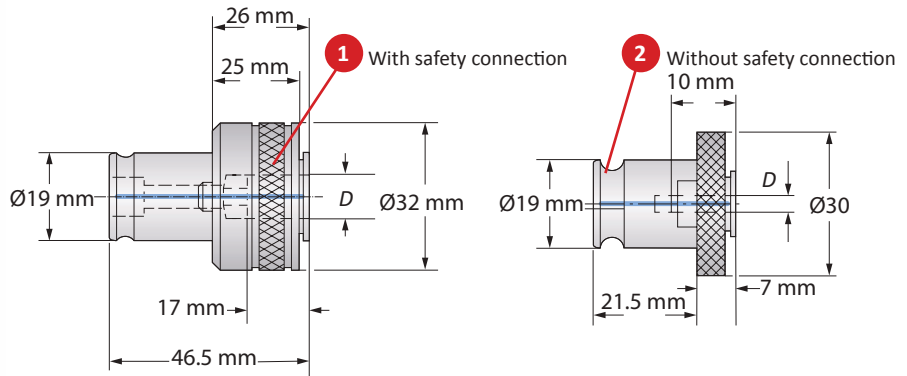
| Shank Dimensions | | Quick Change Adapter | | | | | | | | Part No. | | |
|------------------|------------------|----------------------|---------|---------|---------|---------|----------|----------|----------------|----------|--------|--------|
| Nominal Size | D x Square Shank | DIN 352 | DIN 353 | DIN 371 | DIN 374 | DIN 376 | DIN 2182 | DIN 2183 | Torque Setting | 1 | 2 | |
| i | 0 | 0.083 x 0.098 | M 1 | - | M 1 | - | M 3.5 | 1/16" | - | 1.5 - 2 | 233070 | K24358 |
| | 0 | 0.083 x 0.110 | M 2 | - | M 2 | M 4 | M 4 | 3/32" | 5/32" | 2 - 3 | 233071 | K24276 |
| | 0 | 0.106 x 0.138 | M 3 | - | M 3 | M 5 | M 5 | 1/8" | - | 4 - 6 | 233072 | K24277 |
| | 0 | 0.118 x 0.157 | M 3.5 | - | M 3.5 | - | - | - | - | 1.5 - 2 | 233073 | K24278 |
| | 0 | 0.138 x 0.177 | M 4 | - | M 4 | M 6 | M 6 | 5/32" | 1/4" | 6 - 9 | 233074 | K24279 |
| | 0 | 0.193 x 0.236 | M 8 | - | - | M 8 | M 8 | - | - | 16 - 21 | 233075 | K24280 |
| | 0 | 0.217 x 0.276 | M 10 | G 1/8" | - | M 10 | M 10 | 1/4" | 3/8" | 27 - 32 | 233076 | K24281 |
| | 0 | 0.244 x 0.315 | - | - | M 8 | - | - | 5/16" | 7/16" | 16 - 21 | 233077 | K24391 |
| m | 0 | 2.10 x 2.50 | M 1 | - | M 1 | - | M 3.5 | 1/16" | - | 1.5 - 2 | 233070 | K24358 |
| | 0 | 2.10 x 2.80 | M 2 | - | M 2 | M 4 | M 4 | 3/32" | 5/32" | 2 - 3 | 233071 | K24276 |
| | 0 | 2.70 x 3.50 | M 3 | - | M 3 | M 5 | M 5 | 1/8" | - | 4 - 6 | 233072 | K24277 |
| | 0 | 3.00 x 4.00 | M 3.5 | - | M 3.5 | - | - | - | - | 1.5 - 2 | 233073 | K24278 |
| | 0 | 3.40 x 4.50 | M 4 | - | M 4 | M 6 | M 6 | 5/32" | 1/4" | 6 - 9 | 233074 | K24279 |
| | 0 | 4.90 x 6.00 | M 8 | - | - | M 8 | M 8 | - | - | 16 - 21 | 233075 | K24280 |
| | 0 | 5.50 x 7.00 | M 10 | G 1/8" | - | M 10 | M 10 | 1/4" | 3/8" | 27 - 32 | 233076 | K24281 |
| | 0 | 6.20 x 8.00 | - | - | M 8 | - | - | 5/16" | 7/16" | 16 - 21 | 233077 | K24391 |



i = Imperial (in)
m = Metric (mm)

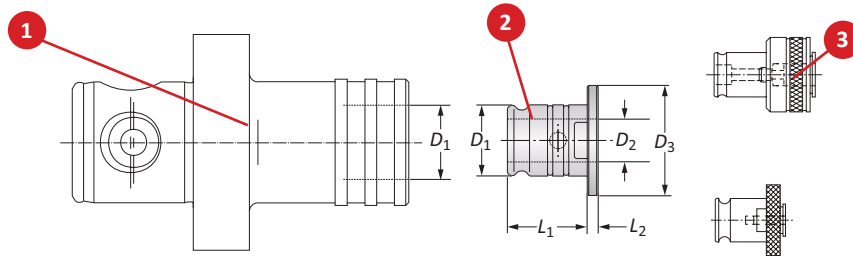
A
B
C
D
E
F
G
H
I
J
K
L
M
INDEX

Quick Change Adapters



Quick Change Adapters

| Shank Dimensions | | Quick Change Adapter | | | | | | | | Part No. | |
|------------------|------------------|----------------------|---------|---------|---------|---------|----------|----------|----------------|----------|--------|
| Nominal Size | D x Square Shank | DIN 352 | DIN 353 | DIN 371 | DIN 374 | DIN 376 | DIN 2182 | DIN 2183 | Torque Setting | 1 | 2 |
| 1 | 0.083 x 0.110 | M 2 | - | M 2.8 | M 4 | M 4 | 3/32" | 5/32" | 2 - 3 | K17847 | K23259 |
| 1 | 0.106 x 0.138 | M 3 | - | M 3.5 | M 5 | M 5 | 1/8" | - | 4 - 6 | 233001 | K18455 |
| 1 | 0.118 x 0.157 | M 3.5 | - | M 3.5 | - | - | - | - | 1.5 - 2 | 233002 | K22439 |
| 1 | 0.134 x 0.177 | M 4 | - | M 4 | M 6 | M 6 | 5/32" | 1/4" | 6 - 9 | 233003 | K16414 |
| 1 | 0.193 x 0.236 | M 8 | - | - | M 8 | M 8 | - | - | 16 - 21 | 233004 | K16415 |
| 1 | 0.217 x 0.276 | M 10 | - | - | M 10 | M 10 | 1/4" | 3/8" | 27 - 32 | 233005 | K16418 |
| 1 | 0.244 x 0.315 | - | G 7/8" | M 8 | - | - | 5/16" | 7/16" | 16 - 21 | 233006 | K16416 |
| 1 | 0.276 x 0.354 | M 12 | - | - | M 12 | M 12 | 3/8" | 1/2" | 37 - 44 | 233007 | K18454 |
| 1 | 0.315 x 0.394 | - | - | M 10 | - | - | - | - | 27 - 32 | 233008 | K16417 |
| 1 | 0.354 x 0.433 | M 14 | G 1/4" | - | M 14 | M 14 | - | 9/16" | 50 - 53 | 233009 | K22440 |
| 1 | 2.10 x 2.80 | M 2 | - | M 2.8 | M 4 | M 4 | 3/32" | 5/32" | 2 - 3 | K17847 | K23259 |
| 1 | 2.70 x 3.50 | M 3 | - | M 3.5 | M 5 | M 5 | 1/8" | - | 4 - 6 | 233001 | K18455 |
| 1 | 3.00 x 4.00 | M 3.5 | - | M 3.5 | - | - | - | - | 1.5 - 2 | 233002 | K22439 |
| 1 | 3.40 x 4.50 | M 4 | - | M 4 | M 6 | M 6 | 5/32" | 1/4" | 6 - 9 | 233003 | K16414 |
| 1 | 4.90 x 6.00 | M 8 | - | - | M 8 | M 8 | - | - | 16 - 21 | 233004 | K16415 |
| 1 | 5.50 x 7.00 | M 10 | - | - | M 10 | M 10 | 1/4" | 3/8" | 27 - 32 | 233005 | K16418 |
| 1 | 6.20 x 8.00 | - | G 7/8" | M 8 | - | - | 5/16" | 7/16" | 16 - 21 | 233006 | K16416 |
| 1 | 7.00 x 9.00 | M 12 | - | - | M 12 | M 12 | 3/8" | 1/2" | 37 - 44 | 233007 | K18454 |
| 1 | 8.00 x 10.00 | - | - | M 10 | - | - | - | - | 27 - 32 | 233008 | K16417 |
| 1 | 9.00 x 11.00 | M 14 | G 1/4" | - | M 14 | M 14 | - | 9/16" | 50 - 53 | 233009 | K22440 |

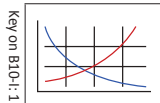


Reducers for Quick Change Adapters

| 1 Tapping Chuck | | 2 Quick Change Adapter | | 3. Reducer | | | | | | Weight | Part No. |
|-----------------|----------------|------------------------|----------------|----------------|----------------|----------------|----------------|----------------|-------------|--------|----------|
| Nominal Size | D ₁ | Nominal Size | D ₁ | D ₁ | D ₂ | D ₃ | L ₁ | L ₂ | | | |
| 1 | 0.748 | 0 | 0.512 | 0.748 | 0.512 | 1.181 | 0.846 | 0.157 | 0.264 (lbs) | 161038 | |
| 2 | 1.220 | 1 | 0.748 | 1.220 | 0.748 | 1.890 | 1.378 | 0.197 | 1.058 (lbs) | 162094 | |
| 1 | 19.00 | 0 | 13.00 | 19.00 | 13.00 | 30.00 | 21.50 | 4.00 | 0.12 (kg) | 161038 | |
| 2 | 31.00 | 1 | 19.00 | 31.00 | 19.00 | 48.00 | 35.00 | 5.00 | 0.48 (kg) | 162094 | |

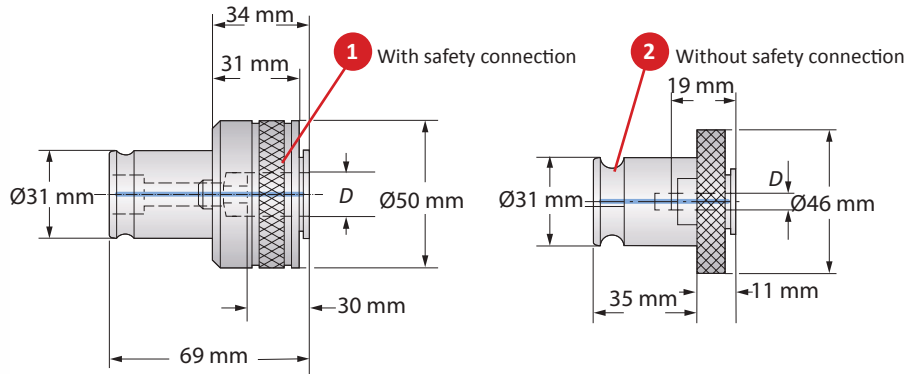
B10-M: 12-19

B10: vi-vii



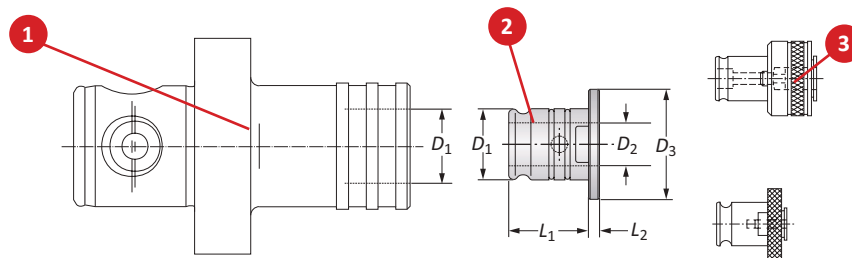
i = Imperial (in)
m = Metric (mm)

Quick Change Adapters



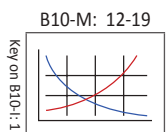
Quick Change Adapters

| Shank Dimensions | | Quick Change Adapter | | | | | | | | Part No. | | |
|------------------|------------------|----------------------|---------|---------|---------|---------|----------|----------|----------------|-----------|--------|--------|
| Nominal Size | D x Square Shank | DIN 352 | DIN 353 | DIN 371 | DIN 374 | DIN 376 | DIN 2182 | DIN 2183 | Torque Setting | 1 | 2 | |
| i | 2 | 0.217 x 0.276 | M 10 | G 1/8" | - | M 10 | M 10 | 1/4" | 3/8" | 24 - 32 | 233020 | K15282 |
| | 2 | 0.244 x 0.315 | - | - | M 8 | - | - | 5/16" | 7/16" | 16 - 21 | 233021 | K15283 |
| | 2 | 0.276 x 0.354 | M 12 | - | - | M 12 | M 12 | 3/8" | 1/2" | 37 - 44 | 233022 | K15284 |
| | 2 | 0.315 x 0.394 | - | - | M 10 | - | - | - | - | 27 - 32 | 233023 | K18456 |
| | 2 | 0.354 x 0.433 | M 14 | G 1/4" | - | M 14 | M 14 | - | 9/16" | 50 - 53 | 233024 | K16419 |
| | 2 | 0.354 x 0.472 | M 16 | G 3/8" | - | M 16 | M 16 | - | 5/8" | 55 - 58 | 233025 | K15285 |
| | 2 | 0.433 x 0.551 | M 18 | - | - | M 18 | M 18 | - | 1 1/16" | 85 - 90 | 233026 | K16420 |
| | 2 | 0.472 x 0.630 | M 20 | G 1/2" | - | M 20 | M 20 | - | 1 3/16" | 110 - 115 | 233027 | K15286 |
| 2 | 0.571 x 0.709 | M 24 | - | - | M 24 | M 24 | - | 1 5/16" | 110 - 115 | 233028 | K18457 | |
| m | 2 | 5.50 x 7.00 | M 10 | G 1/8" | - | M 10 | M 10 | 1/4" | 3/8" | 24 - 32 | 233020 | K15282 |
| | 2 | 6.20 x 8.00 | - | - | M 8 | - | - | 5/16" | 7/16" | 16 - 21 | 233021 | K15283 |
| | 2 | 7.00 x 9.00 | M 12 | - | - | M 12 | M 12 | 3/8" | 1/2" | 37 - 44 | 233022 | K15284 |
| | 2 | 8.00 x 10.00 | - | - | M 10 | - | - | - | - | 27 - 32 | 233023 | K18456 |
| | 2 | 9.00 x 11.00 | M 14 | G 1/4" | - | M 14 | M 14 | - | 9/16" | 50 - 53 | 233024 | K16419 |
| | 2 | 9.00 x 12.00 | M 16 | G 3/8" | - | M 16 | M 16 | - | 5/8" | 55 - 58 | 233025 | K15285 |
| | 2 | 11.00 x 14.00 | M 18 | - | - | M 18 | M 18 | - | 1 1/16" | 85 - 90 | 233026 | K16420 |
| | 2 | 12.00 x 16.00 | M 20 | G 1/2" | - | M 20 | M 20 | - | 1 3/16" | 110 - 115 | 233027 | K15286 |
| 2 | 14.50 x 18.00 | M 24 | - | - | M 24 | M 24 | - | 1 5/16" | 110 - 115 | 233028 | K18457 | |



Reducers for Quick Change Adapters

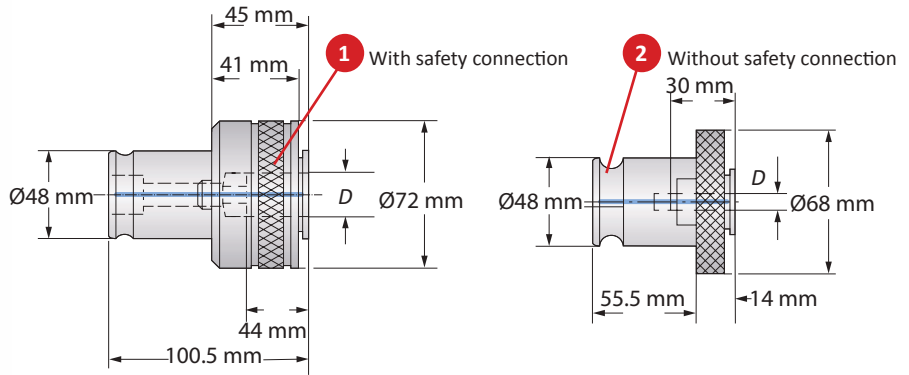
| | 1 Tapping Chuck | | 2 Quick Change Adapter | | 3 Reducer | | | | | Weight | Part No. |
|---|-----------------|----------------|------------------------|----------------|----------------|----------------|----------------|----------------|----------------|-------------|----------|
| | Nominal Size | D ₁ | Nominal Size | D ₁ | D ₁ | D ₂ | D ₃ | L ₁ | L ₂ | | |
| i | 1 | 0.748 | 0 | 0.512 | 0.748 | 0.512 | 1.181 | 0.846 | 0.157 | 0.264 (lbs) | 161038 |
| | 2 | 1.220 | 1 | 0.748 | 1.220 | 0.748 | 1.890 | 1.378 | 0.197 | 1.058 (lbs) | 162094 |
| m | 1 | 19.00 | 0 | 13.00 | 19.00 | 13.00 | 30.00 | 21.50 | 4.00 | 0.12 (kg) | 161038 |
| | 2 | 31.00 | 1 | 19.00 | 31.00 | 19.00 | 48.00 | 35.00 | 5.00 | 0.48 (kg) | 162094 |



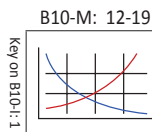
i = Imperial (in)
m = Metric (mm)

A
B
C
D
E
F
G
H
I
J
K
L
M
INDEX

Quick Change Adapters



| Shank Dimensions | | Quick Change Adapters | | | | | | | | | Part No. | |
|------------------|------------------|-----------------------|----------|---------|---------|---------|----------|----------|----------------|-----------|----------|--------|
| Nominal Size | D x Square Shank | DIN 352 | DIN 353 | DIN 371 | DIN 374 | DIN 376 | DIN 2182 | DIN 2183 | Torque Setting | 1 | 2 | |
| i | 3 | 0.354 x 0.433 | M 14 | G 1/4" | - | M 14 | M 14 | - | 9/18" | 50 - 53 | 233040 | K22434 |
| | 3 | 0.354 x 0.472 | M 16 | G 3/8" | - | M 16 | M 16 | - | 5/8" | 55 - 58 | 233041 | K22435 |
| | 3 | 0.433 x 0.551 | M 18 | - | - | M 18 | M 18 | - | 11/16" | 85 - 90 | 233042 | K22436 |
| | 3 | 0.472 x 0.630 | M 20 | G 1/2" | - | M 20 | M 20 | - | 13/18" | 100 - 106 | 233043 | K22437 |
| | 3 | 0.571 x 0.709 | M 24 | - | - | M 24 | M 24 | - | 15/16" | 140 - 150 | 233044 | K16421 |
| | 3 | 0.650 x 0.787 | M 27 | G 3/4" | - | M 27 | M 27 | - | 1" | 150 - 160 | 233045 | K16422 |
| | 3 | 0.709 x 0.866 | M 30 | G 7/8" | - | M 30 | M 30 | - | 1 1/8" | 240 - 250 | 233046 | K16423 |
| | 3 | 0.866 x 0.984 | M 33 | G 1" | - | M 33 | M 33 | - | 1 1/4" | 260 - 270 | 233047 | K16424 |
| 3 | 0.866 x 1.102 | M 36 | G 1 1/8" | - | M 36 | M 36 | - | 1 3/8" | 260 - 270 | 233048 | K22438 | |
| m | 3 | 9.00 x 11.00 | M 14 | G 1/4" | - | M 14 | M 14 | - | 9/18" | 50 - 53 | 233040 | K22434 |
| | 3 | 9.00 x 12.00 | M 16 | G 3/8" | - | M 16 | M 16 | - | 5/8" | 55 - 58 | 233041 | K22435 |
| | 3 | 11.00 x 14.00 | M 18 | - | - | M 18 | M 18 | - | 11/16" | 85 - 90 | 233042 | K22436 |
| | 3 | 12.00 x 16.00 | M 20 | G 1/2" | - | M 20 | M 20 | - | 13/18" | 100 - 106 | 233043 | K22437 |
| | 3 | 14.50 x 18.00 | M 24 | - | - | M 24 | M 24 | - | 15/16" | 140 - 150 | 233044 | K16421 |
| | 3 | 16.50 x 20.00 | M 27 | G 3/4" | - | M 27 | M 27 | - | 1" | 150 - 160 | 233045 | K16422 |
| | 3 | 18.00 x 22.00 | M 30 | G 7/8" | - | M 30 | M 30 | - | 1 1/8" | 240 - 250 | 233046 | K16423 |
| | 3 | 22.00 x 25.00 | M 33 | G 1" | - | M 33 | M 33 | - | 1 1/4" | 260 - 270 | 233047 | K16424 |
| 3 | 22.00 x 28.00 | M 36 | G 1 1/8" | - | M 36 | M 36 | - | 1 3/8" | 260 - 270 | 233048 | K22438 | |

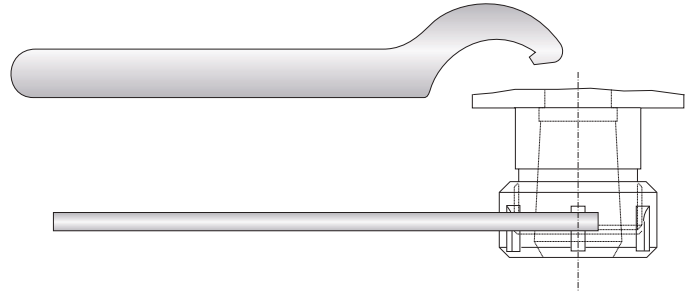


i = Imperial (in)
m = Metric (mm)

Service Keys for Collet Systems

Service Keys for ISO 10897 (DIN 6388) Collet Chuck Systems

| Service Key | | | |
|--------------|---------|------|----------|
| Nominal Size | Size | Type | Part No. |
| 16 | 40 - 43 | S | 068179 |
| 25 | 58 - 62 | S | 068182 |
| 32 | 68 - 75 | S | 115867 |



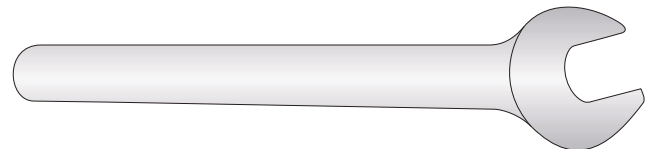
Service Keys for ISO 15488 (DIN 6499) Collet Chuck Systems

| Service Key | | | | |
|--------------|------|-------------|------|----------|
| Nominal Size | Size | Service Key | Type | Part No. |
| ER 08 Mini | 9.0 | - | X | 415373 |
| ER 11 Mini | 12.0 | - | X | 415374 |
| ER 16 Mini | 17.5 | - | X | 415375 |
| ER 16 | - | 25 | P | 215927 |
| ER 25 | 42.0 | - | T | 215929 |
| ER 32 | 50.0 | - | T | 215930 |
| ER 40 | 63.0 | - | T | 215931 |

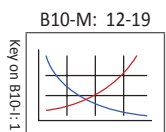
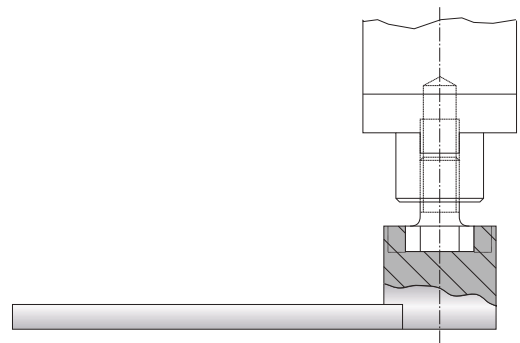


Service Keys for Erickson Collet Chuck Systems

| Service Key | | |
|-------------|------|----------|
| Service Key | Type | Part No. |
| 13 | P | 315689 |
| 19 | P | 315691 |



| Service Keys | |
|--------------|----------|
| Service Key | Part No. |
| 13 | 115785 |
| 16 | 115699 |
| 22 | 115660 |
| 27 | 115661 |
| 32 | 115662 |
| 40 | 115663 |
| 60 | 315637 |



i = Imperial (in)
m = Metric (mm)

A
B
C
D
E
F
G
H
I
J
K
L
M
INDEX

Guaranteed Test / Demo Application Form

Distributor PO # _____

The following must be filled out completely before your test will be considered.

IMPORTANT: For processing, send purchase order to your Allied Field Sales Engineer (FSE). Please clearly mark the paperwork as "Test Order."

Distributor Information

Company Name: _____
 Contact: _____
 Account Number: _____
 Phone: _____
 Email: _____

End User Information

Company Name: _____
 Contact: _____
 Industry: _____
 Phone: _____
 Email: _____

Current Process List all tooling, coatings, substrates, speeds and feeds, tool life, and any problems you are experiencing.

Test Objective List what would make this a successful test (i.e. penetration rate, finish, tool life, hole size, etc.).

Application Information

| | | |
|-----------------------------------|---------------------------|---|
| Hole Diameter: _____ in/mm | Tolerance: _____ | Material: _____ (4150, A36, cast iron, etc.) |
| Preexisting Diameter: _____ in/mm | Depth of Cut: _____ in/mm | Hardness: _____ (BHN, Rc) |
| Required Finish: _____ RMS | State: _____ | (Casting, hot rolled, forging) |

Machine Information

| | | |
|---|--|------------------------------|
| Machine Type: _____ (Lathe, screw machine, machine center, etc.) | Builder: _____ (Haas, Mori Seiki, etc.) | Model #: _____ |
| Shank Required: _____ (CAT50, Morse taper, etc.) | Power: _____ HP/KW | |
| Rigidity: _____ | Orientation: _____ | Tool Rotating: _____ |
| <input type="checkbox"/> Excellent | <input type="checkbox"/> Vertical | <input type="checkbox"/> Yes |
| <input type="checkbox"/> Good | <input type="checkbox"/> Horizontal | <input type="checkbox"/> No |
| <input type="checkbox"/> Poor | | Thrust: _____ lbs/N |

Coolant Information

| | |
|--|-----------------------------------|
| Coolant Delivery: _____ (Through tool, flood) | Coolant Pressure: _____ PSI / bar |
| Coolant Type: _____ (Air mist, oil, synthetic, water soluble, etc.) | Coolant Volume: _____ GPM / LPM |

Requested Tooling

| QTY | Item Number |
|-----|-------------|
| | |
| | |
| | |
| | |
| | |
| | |

| QTY | Item Number |
|-----|-------------|
| | |
| | |
| | |
| | |
| | |
| | |



Allied Machine & Engineering
 120 Deeds Drive
 Dover, OH 44622

Telephone: (330) 343-4283
 Toll Free USA & Canada: (800) 321-5537
 Email: info@alliedmachine.com

Warranty Information



Allied Machine & Engineering ("Allied Machine") warrants to original equipment manufacturers, distributors, industrial and commercial users of its products for one year from the original date of sale that each new product manufactured or supplied by Allied Machine shall be free from defects in material and workmanship.

Allied Machine's sole and exclusive obligation under this warranty is limited to, at its option, without additional charge, replacing or repairing this product or issuing a credit. For this warranty to be applied, the product must be returned freight prepaid to the plant designated by an Allied Machine representative and which, upon inspection, is determined by Allied Machine to be defective in material and workmanship.

Complete information as to operating conditions, machine, setup, and the application of cutting fluid should accompany any product returned for inspection. This warranty shall not apply to any Allied Machine products which have been subjected to misuse, abuse, improper operating conditions, improper machine setup or improper application of cutting fluid or which have been repaired or altered if such repair or alteration, in the judgement of Allied Machine, would adversely affect the performance of the product.

THIS WARRANTY IS IN LIEU OF ALL OTHER WARRANTIES, EXPRESS OR IMPLIED, INCLUDING ANY IMPLIED WARRANTY OF MERCHANTABILITY OR FITNESS FOR A PARTICULAR PURPOSE. Allied Machine shall have no liability or responsibility for any claim, whether in contract, tort or otherwise, for any loss or damage arising out of, connected with, or resulting from the manufacture, sale, delivery or use of any product sold hereunder, in excess of the cost of replacement or repair as provided herein.

Allied Machine shall not be liable in contract or in tort (including, without limitation, negligence, strict liability or otherwise) for economic losses of any kind or for any special, incidental, indirect, consequential, punitive or exemplary damages arising in any way out of the performance of, or failure to perform this agreement.

ALL PRICES, DELIVERIES, DESIGNS, AND MATERIALS ARE SUBJECT TO CHANGE WITHOUT NOTICE.



Allied Machine & Engineering is registered to ISO 9001:2015 by DQS.



Wohlhaupter GmbH is registered to ISO 9001:2015 by QUACERT.



Allied Machine & Engineering Co. Europe Ltd. is registered to ISO 9001:2015 by bsi.

United States

Allied Machine & Engineering
120 Deeds Drive
Dover OH 44622
United States

Phone:
+1.330.343.4283

Toll Free USA and Canada:
800.321.5537

Toll Free USA and Canada:
800.223.5140

Allied Machine & Engineering
485 W Third Street
Dover OH 44622
United States

Phone:
+1.330.343.4283

Toll Free USA and Canada:
800.321.5537

Europe

Allied Machine & Engineering Co. (Europe) Ltd.
93 Vantage Point
Pensnett Estate
Kingswinford
West Midlands
DY6 7FR England

Phone:
+44 (0) 1384 400900

Wohlhaupter® GmbH
Maybachstrasse 4
Postfach 1264
72636 Frickenhausen
Germany

Phone:
+49 (0) 7022 408.0

Asia

Wohlhaupter® India Pvt. Ltd.
B-23, 3rd Floor
B Block Community Centre
Janakpuri, New Delhi - 110058
India

Phone:
+91 (0) 11.41827044

Your local Allied Machine representative:

www.alliedmachine.com

Allied Machine & Engineering is registered to **ISO 9001:2015** by DQS.

Wohlhaupter GmbH is registered to **ISO 9001:2015** by QUACERT.

Allied Machine & Engineering Co. Europe Ltd. is registered to **ISO 9001:2015** by bsi.

